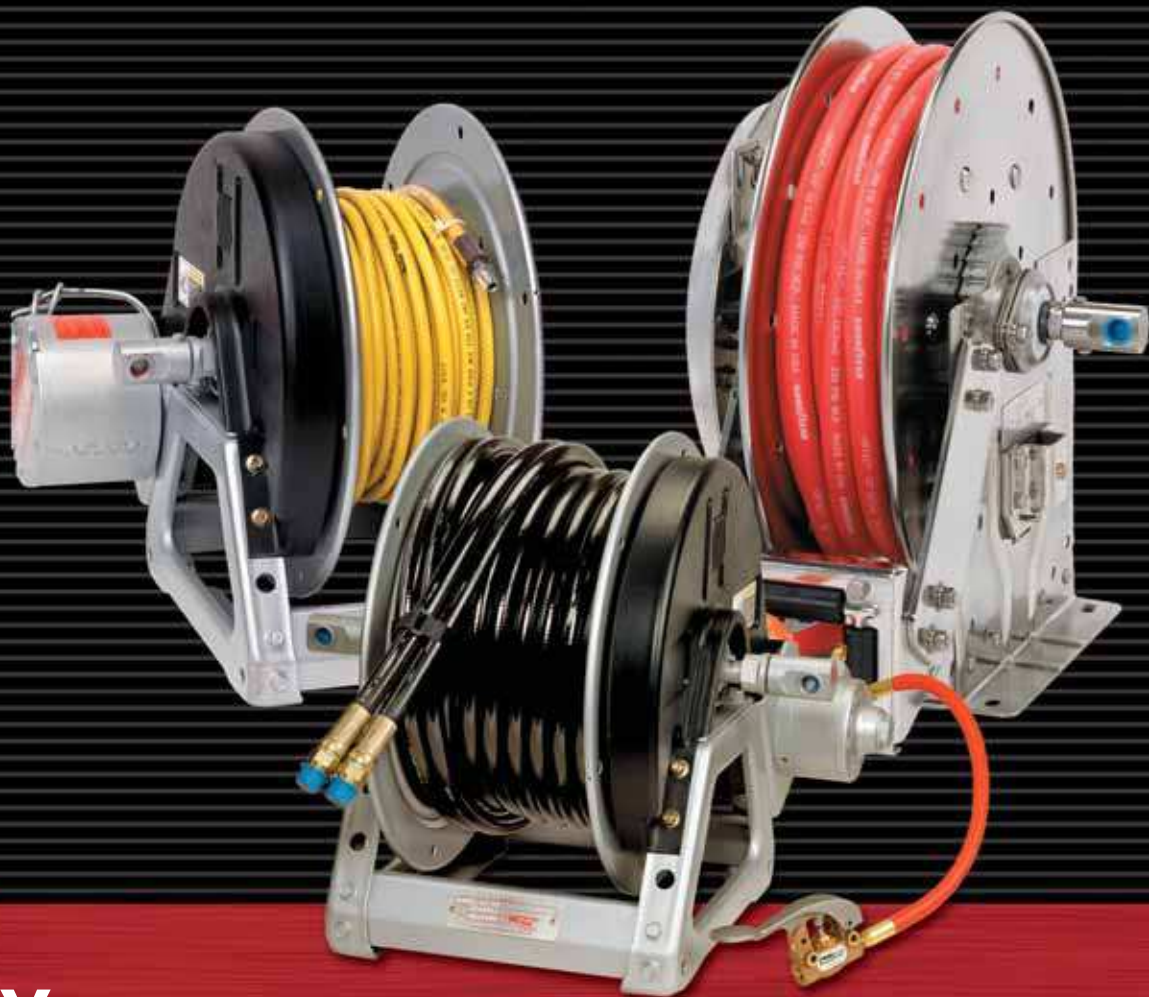


FAMILY OWNED AND OPERATED SINCE 1933



Industrial Hose Reels



**You
Can't Buy
A Better
Reel**

Washdown • Chemical Transfer • Potable Water
Food Processing • Pharmaceuticals & Cosmetics • Fueling
Fire Protection • Dairy Operations • Bottling Plants

www.hannay.com

Pride in workmanship • Reels built to order • Consistent quality • Service with integrity • Value for your dollar

CONTENTS

Hannay hose reels come in all sizes and capacities.

Hannay Reels is the leading manufacturer of high quality hose and cable reels for most every conceivable application. This catalog describes and gives specifications on our most popular hose reels. If you don't see what you're looking for, give us a call and we will help you meet your needs.

Hannay Reels offers Aluminum, Carbon & Stainless Steel construction for most models. Special coatings and finishes are also available.

Reel Selector Chart

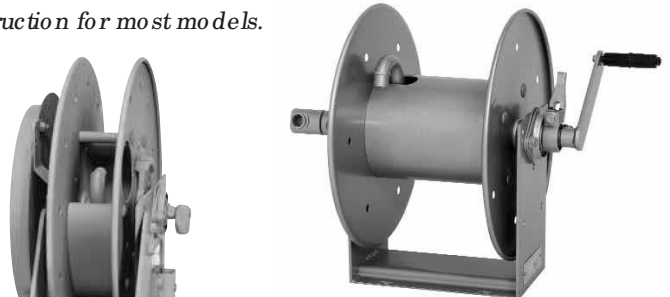
Reel Type	I.D. Hose Sizes	Page
Hose Assemblies		3
Hannay Reels Policies		4
Our Guarantee, Service Policy, Paint Notice, Return Goods Policy		
Spring Rewind Reels		
Series N500 (high pressure)	1/4" & 3/8"	5
Series N600/600 (dual hose)	1/4"-3/4" Dual	6-7
Series N700/700	1/4" & 3/8" & 1/2"	8-9
Series N800/800	3/4" & 1"	10-11
Series 900	1-1/4" & 1-1/2"	12
Series AG	1/4"-1-1/2"	13-14
Compact Manual Rewind Reels		
Series 1000	1/4"-3/8"	15
Power and Manual Rewind Reels		
Series 1500, 1800	1/4"-3/4"	16-17
Series 2000 (dual hose), G2000	1/4"-1/2" Dual	18-19
Series 3000, 3500 (manual only)	3/4"-1-3/4"	20-21
Series 4000, G4100	3/4"-1"	22-23
Series 6000	1/2"-1"	24-25
Series 7000 (dual hose)	3/4"-1" Dual	26
Series 7500	1"-1-1/2"	27
Series 8000	1-1/2"-2"	28-29
Series 9000	2"-3"	30-31
Portable Hose Reels		
Series 1100, AT1200	3/8"-1"	32
Storage Reels		
Series C1150, ATC1250	16/3-10/3	33
Series C1500, C3200	1/4"-1-1/2"	34-35

Lube Reel Chart

Reel Type	I.D. Hose Sizes	Page
Spring Rewind Reels		
Series N500 (high pressure)	1/4" & 3/8"	5
Series N700	3/8" & 1/2"	8
Series N800	3/4" & 1"	10
Series 900	1-1/4" & 1-1/2"	12
Power Rewind Reels		
Series 7500	1"-1-1/2"	27

Mounting Hole Sizes

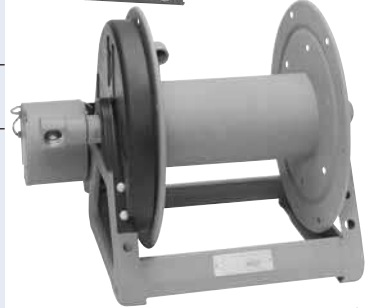
N Series Reels — 7/16" x 7/8" running front to back
Pressed Frame Reels — 7/16" x 7/8" running left to right
Series 1000 — 5/16" x 7/8"
Series 1500, 1800, 4000, 2000 — 13/32" round holes



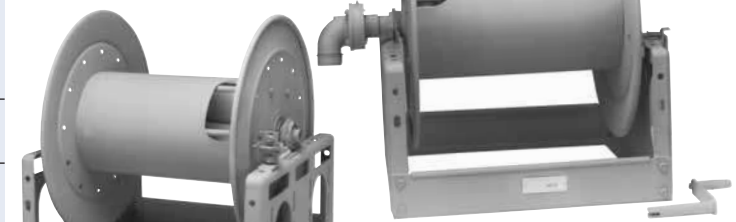
Compact Manual Rewind Reels



Spring Rewind Reels



Power Rewind Reels



Manual Rewind Reels



Storage Reels

4300-AL Aluminium Hand Cart is available for most models in Series 3000, 3500 and C3200



HOSE ASSEMBLIES

Complete Reel Packages are also available. For further information refer to our form H-0001-Pkg.

Hose Assemblies

Allow us to quote the hose along with the reel to simplify your procurement process. Hannay inventories a wide variety of hose assemblies for common applications like general purpose air and water, petroleum products, hydraulics, oxygen/ acetylene, breathing air and rescue equipment. Special lengths, fittings and custom application assemblies are usually available in 5 to 10 business days. Beside the ID and Length be sure to know the Temperature Range, Fluid, Working Pressure, and Fitting Specifications for your hose.

Low Pressure Hose

We stock a variety of low pressure hose assemblies in several sizes and lengths. We offer hose with EPDM cover and tube and brass fittings which is excellent for air, water and many agricultural chemicals and is recommended for outside usage due to its resistance to heat, sunlight, and weathering. For shop use we offer a hose with high oil resistant tube and cover. It is suitable for use with petroleum based hydraulic fluid, lubricating oil, anti-freeze, diesel fuel, water and air and may be special ordered in several different colors. Hoses for specialty applications are available upon request.

Medium and High Pressure Hose

Several different hydraulic and general purpose hose assemblies are offered to meet the specifications of your particular application. We stock an assortment of common sizes to be able meet your needs with a minimum delivery time.

Twin Hydraulic Hose

Hannay Reels offers bonded hydraulic hose that helps solve problems associated with unwinding and storing multiple lines. Various options are available not only for hydraulic fluid, but a wide variety of chemicals, agricultural sprays, urethane foam mixers, and fire resistant fluids.

Twin Oxygen/ Acetylene Hose.

We stock Grade R and Grade T twin hose assemblies in 1/4" & 3/8" in lengths of 50', 75' and 100' which will cover most requirements for oxygen/ acetylene as well as Propane and MAPP. For oxygen/ acetylene reels see the Hannay Welding Reels Catalog H-0408-W.

Note: All spring rewind reels complete with hose are supplied with appropriate hose stop. (See Ordering & Accessory Guide.)

REEL POLICIES

Our Guarantee and Service Policy

Equipment manufactured by Hannay Reels, Inc. is guaranteed for two years from date of shipment when installed according to our instructions, given proper care, and used for the purpose for which it is designed.

Equipment which proves to be defective upon our inspection will be replaced free of charge, including freight to the customer. Our responsibility ceases upon delivery to any common carrier and we do not, unless previously instructed, insure shipments beyond point of delivery to such carrier. No material will be accepted for return without a return goods authorization. No allowance will be made for labor charges incurred in making exchanges, replacements or repairs.

Components (including hose and cable) which are manufactured by other vendors will be subject to the warranty terms of their own manufacturers. Also excluded from the general guarantee are normal wear items (including seals, motor brushes, and paint finish).

We reserve the right to modify or alter materials, dimensions, design and construction when necessary to improve the performance of the reel and/ or accessories, or to meet delivery requirements.

Failure to use a properly sized circuit breaker with any electric rewind motor will void warranty on motor.

Failure to use a flexible connector with any live hose reel will void warranty on swivel joint.

We expressly disclaim any liability for damage or injuries resulting from the use, operation, service, maintenance or failure of equipment.

Paint Notice

To meet the requirements and performance of vehicle and OEM apparatus paints we recommend our reels be painted with the same or equal paint as used on the specific apparatus the reel is being mounted on.

Hannay Reels will supply any model or custom reel or part with an automotive primer or rust preventative oil finish upon request, allowing application of final coating at your facility. Or at additional cost Hannay can prime / pre-paint all material before final assembly.

In today's regulatory environment this would be the most cost-effective way to meet your finishing standards.

Optional finishes are available for various environmental conditions and should be discussed with the factory.

Standard finish is oven cured enamel. **High performance finishes for demanding and corrosive environments are available at an additional cost. Consult factory for specific requirements.**

Return Goods Policy

All Hannay Reels are built to order. The parts and components are ordered or placed into production as soon as the order is written.

In order to keep the number of returned goods at a minimum, we ask that you use the Hannay Reels Order Worksheet and/ or Accessories Order Form when specifying reels with us. These forms can be found in our Ordering and Accessory Guide, H-0415-OA. **Be sure to include any size and/ or weight limitations for your installation.**

In the event that an item does need to be returned for credit, repair or replacement, prior approval **must** be obtained from Hannay Reels, Inc. Upon your request, we will fax a Return Goods Authorization form. A signed copy of this form **must** accompany the material when returned to us.

All material must be returned prepaid, unless otherwise noted on our Return Goods Authorization. No return will be accepted that has been damaged due to improper return packaging, tampered with or altered from its original condition. **Equipment specially built to customer specifications and requirements is not subject to cancellation or returnable for credit under any conditions.**

Our restocking and handling fee is a **MINIMUM** of 25% for standard catalog reels and parts.

No material will be accepted for credit when returned without permission. Orders for equipment incorporating variations from catalog listed items are special and are not subject to return.

No allowance will be made for labor or mileage charges incurred in making exchanges, replacements, or repairs.

N500

HIGH PRESSURE SPRING REWIND REELS

To handle single 1/4" or 3/8" I.D. hose.



Standard Configuration Shown

For:

- Chassis Grease
- Hydraulics
- Air/ Water

- Compact frame and narrow base.
- Non sparking ratchet assembly.
- Declutching arbor to prevent damage from reverse winding.
- Standard inlet 90° swivel joint 1/4" female NPT threads. 3/8" female NPT threads are optional and **must be specified**.
- Standard outlet is 1/4" female NPT threads. 3/8" female NPT threads are optional and **must be specified**.
- Other threads can be furnished and **must be specified**.
- Standard pressure of 10,000 psi (689 bar), product temperatures from -40° F to +250° F (-40° C to +121° C). Optional 1/4" 3000 psi (207 bar), or 3/8" 3000 psi (207 bar) or 8000 psi (552 bar) are available upon request.
- 4-way roller assembly.
- Constant Tension is available – consult factory.

Parts Drawing – ISO 92

Model Number	Hose Capacity of Reel			Approx. Weight			Standard Roller Assy	Reel Dimensions***			
	feet			lb.				inches			
	m.			kg.				mm.			
I.D. (in) I.D. (mm)	1/4" 6	3/8" 10	NET	UPS/ FedEx	Freight	C	E	G	H		
O.D. (in) O.D. (mm)	5/8" 16	3/4" 19		SHIP Wt.	SHIP Wt.						
N515-14-16-8L	25 8	25 8	48	64* 22	83 29	N203	8 203	17.62 448	16.25 413	9.12 232	
N515-16-17-10.5C	35 11	35 11	51	67* 30	86 39	N203	10.5 267	18.5 470	17 432	9.12 232	
N515-19-20-10.5J	50 15	50 15	63	81* 29	98 37	N203	10.5 267	20.75 527	20 508	10.62 270	
N515-23-24-15.5J	75 23	75 23	75	92* 34	110 42	N203	15.5 394	23.75 603	24 610	12.62 321	

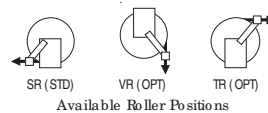
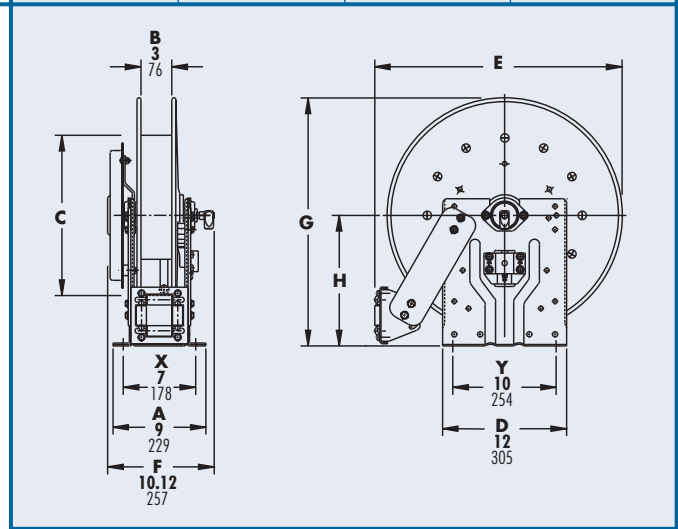
Notes: A hose stop is necessary on hose to keep spring from unwinding.

1. Specifications subject to change.
2. Reel models and capacities shown are for standard drag applications; for vertical lift applications consult factory.
3. Other sizes, from standard components, available on request.
4. **Finish:** refer to Page 4.
5. **Be sure to check dimensions and weights prior to ordering.**

NOTICE: A Flexible Connector must be used between the inlet pipe and the inlet swivel joint.

* Dimensional weight may apply when shipped as a parcel package (via FedEx or UPS Ground).

*** x,y indicate mounting holes. See page 2

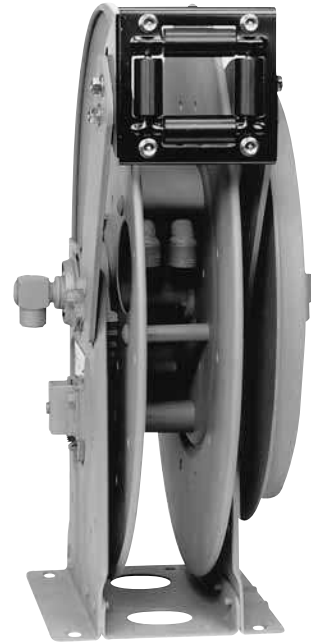


N600

SPRING REWIND DUAL HOSE REELS

To handle dual 1/4" through 1/2" I.D. hose.

- Narrow frame and compact mounting base.
 - Non sparking ratchet assembly.
 - Declutching arbor to prevent damage from reverse winding.
 - Standard inlets 90° balanced pressure swivel joints 1/2" female NPT threads.
 - Standard outlets 1/2" female NPT threads.
 - Pressures to 3000 psi (207 bar)
 - Temperatures from -60° F to +250° F (-51°C to +121°C).
 - Consult factory for other pressures & temps.
 - 4-way roller assembly.
 - Constant Tension is available – consult factory.
 - Reels for use with oxygen/ acetylene.
- See Series N400 Hannay Reels Welding Catalog H0408-W.



Optional TR roller position shown

For:

- Hydraulics
- Air/ Water
- Spray Painting

Parts Drawing – ISO 80

Model Number	Hose Capacity of Reel				Approx. Weight			Standard Roller Assy	Reel Dimensions***							
	feet				lb.				inches							
	m.				kg.				mm.							
I.D. (in)	1/4"	3/8"	1/2"	NET	UPS/ FedEx	Freight		A	B	C	E	F	G	H	X	
I.D. (mm)	6	10	13													SHIP Wt.
N615-19-20-10.5C	2/ 35	2/ 35	2/ 20	63	74*	98	N203	9	3	10.5	20.75	11.75	20	10.62	7	
	2/ 11	2/ 11	2/ 6	29	34	44		229	76	267	527	298	508	270	178	
N617-19-20-10.5J	2/ 50	2/ 50	2/ 25	66	84*	101	N205	11	5	10.5	20.75	13.75	20	10.62	9	
	2/ 15	2/ 15	2/ 8	30	38	46		279	127	267	527	349	508	270	229	
N615-23-24-10.5B	2/ 65	2/ 60	2/ 30	87	104*	122	N203	9	3	10.5	23.75	11.75	24	12.62	7	
	2/ 20	2/ 18	2/ 9	40	47	55		229	76	267	603	298	610	321	178	
N617-25-26-15.5B	2/ 75	2/ 75	2/ 50	93	-	128	N205	11	5	15.5	25.25	13.75	26	13.62	9	
	2/ 23	2/ 23	2/ 15	42	-	58		279	127	394	641	349	660	346	229	
N617-25-26-15.5A	2/ 100	2/ 85	-	120	-	155	N205	11	5	15.5	25.25	14.5	26	13.62	9	
	2/ 31	2/ 26	-	54	-	70		279	127	394	641	368	660	346	229	

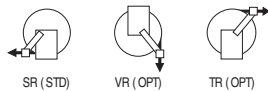
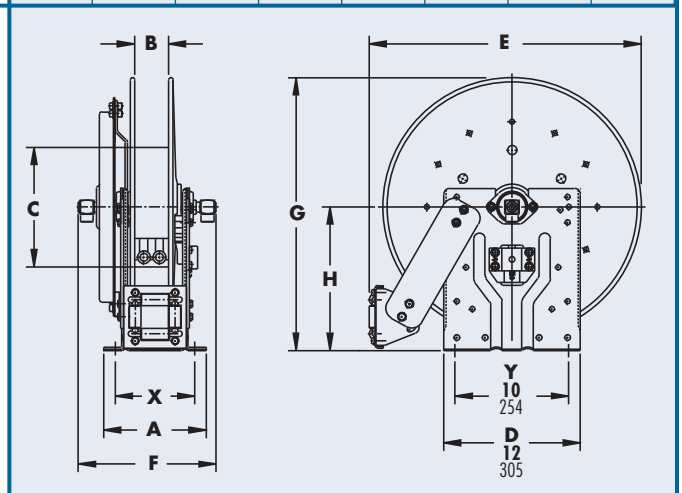
Notes: A hose stop is necessary on hose to keep spring from unwinding.

1. Specifications subject to change.
2. Reel models and capacities shown are for standard drag applications; for vertical lift applications consult factory.
3. Other sizes, from standard components, available on request.
4. **Finish:** refer to Page 4.
5. **Be sure to check dimensions and weights prior to ordering.**

NOTICE: A Flexible Connector must be used between the inlet pipe and the inlet swivel joint

* Dimensional weight may apply when shipped as a parcel package (via FedEx or UPS Ground).

*** x,y indicate mounting holes. See page 2



Available Roller Positions

For hydraulic tool circuit applications full flow swivels w/ viton seals are recommended (add 2.25 to "F" dim in chart)

600

SPRING REWIND DUAL HOSE REELS

To handle dual 1/4" through 3/4" I.D. hose.



Standard Configuration Shown

For:

- Hydraulics
- Air/ Water
- Spray Painting

- Rollformed channel frame for heavy duty applications.
 - Non sparking ratchet assembly.
 - Declutching arbor to prevent damage from reverse winding.
 - Standard inlets 90° balanced pressure swivel joints 1/2" female NPT threads. (1" inlet available).
 - Standard outlets 1/2" female NPT threads. (3/4" outlet available).
 - Pressures to 3000 psi (207 bar)
 - Temperatures from -60° F to +250° F (-51°C to +121°C).
 - Consult factory for other pressures & temps.
 - 4-way roller assembly.
 - Constant Tension is available – consult factory.
 - Reels for use with oxygen/ acetylene.
- See Series N400 Hannay Reels Welding Catalog H-0408-W.

Parts Drawing – ISO 8

Model Number	Hose Capacity of Reel				Approx. Weight		Standard Roller Assy	Reel Dimensions***									
	feet				NET	SHIP		inches									
	m.							mm.									
I.D. (in)	1/4"	3/8"	1/2"	3/4"			A	B	C	D	E	F	G	H	X	Y	
I.D. (mm)	6	10	13	19													
O.D. (in)	5/8"	3/4"	7/8"	1-9/32"													
O.D. (mm)	16	19	22	33													
615-23-24-10.5B	2/ 65	2/ 60	2/ 30	–	53	88	R203	8.25	3	10.5	23.25	24.38	13	23.88	12.5	3.5	20
	2/ 20	2/ 18	2/ 9	–	24	40		210	76	267	591	619	330	607	318	89	508
617-25-26-15.5B	2/ 75	2/ 75	2/ 50	–	93	128	R205	10.25	5	15.5	25	26.12	15	25.88	13	5.5	21.75
	2/ 23	2/ 23	2/ 15	–	42	58		260	127	394	635	663	381	657	343	140	552
617-25-26-15.5A	2/ 100	2/ 85	–	–	120	155	R205	10.25	5	15.5	25	26.12	15.75	25.88	13.5	5.5	21.75
	2/ 31	2/ 26	–	–	54	70		260	127	394	635	663	400	657	343	140	552
† 618-30-31-15.5A	–	–	2/ 100	2/ 50	130	165	R206	11.25	6	15.5	28.5	29.62	16.75	31.38	16.75	6.5	25.25
	–	–	2/ 31	2/ 15	59	75		286	152	394	724	752	425	797	425	165	641

Notes: A hose stop is necessary on hose to keep spring from unwinding.

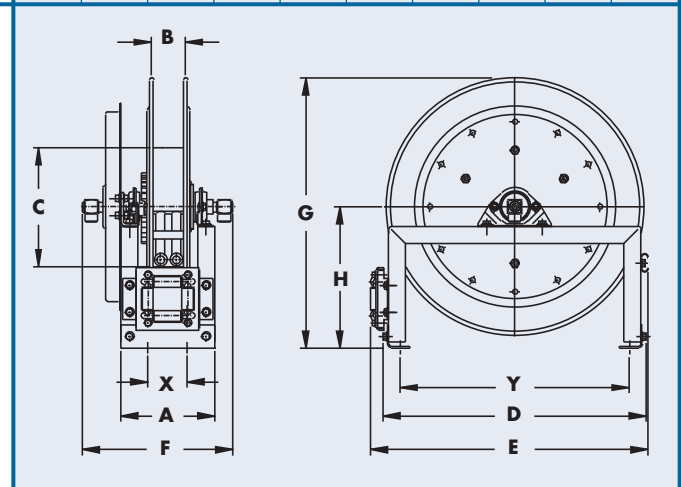
1. Specifications subject to change.
2. Reel models and capacities shown are for standard drag applications; for vertical lift applications consult factory.
3. Other sizes, from standard components, available on request.
4. **Finish:** refer to Page 4.
5. **Be sure to check dimensions and weights prior to ordering.**

NOTICE: A Flexible Connector must be used between the inlet pipe and the inlet swivel joint.

*** x,y indicate mounting holes. See page 2

NPT threads, standard outlets are 1/2" female NPT threads.

† Must specify if 1" joints and 3/4" outlet risers are required.



For hydraulic tool circuit applications full flow swivels w/ viton seals are recommended (add 2.25 to "F" dim in chart)

N700

SPRING REWIND REELS

To handle 1/4" through 1/2" I.D. hose.

- Standard N Series has a narrow frame and compact mounting base.
- Non sparking ratchet assembly.
- Declutching arbor to prevent damage from reverse winding.
- Standard inlet 90° balanced pressure swivel joint 1/2" female NPT threads.
- Standard outlet 1/2" female NPT threads.
- Standard Pressures to 3000 psi (207 bar) (available up to 10,000 psi 690 bar).
- Temperatures from -60° F to +250° F (-51° C to +121° C).
- Consult factory for other pressures & temps.
- 4-way roller assembly.
- Constant Tension is available – consult factory.



Shown w/ Optional TR Roller Position

For:

- Lubrication
- Air/ Water
- Assembly Operations
- Washdown
- Air Tools
- General Industrial Applications

Parts Drawing – ISO 79

Model Number	Hose Capacity of Reel				Approx. Weight			Standard Roller Assy	Reel Dimensions***							
	feet				lb.				inches							
	m.				kg.				mm.							
I.D. (in)	1/4"	3/8"	1/2"	NET	UPS/ FedEx	SHIP Wt.	Freight Wt.	A	B	C	E	F	G	H	X	
I.D. (mm)	6	10	13													O.D. (in)
N716-14-16-8C	-	25	25	52	64*	87	N204	10	4	8	17.62	11.25	16.25	9.12	8	
	-	8	8	24	29	39		254	102	203	448	286	413	232	203	
N716-16-17-10.5C	-	35	35	55	67*	90	N204	10	4	10.5	18.5	11.25	17	9.12	8	
	-	11	11	25	30	41		254	102	267	470	286	432	232	203	
N716-16-17-8L	-	50†	50†	63	75	105	N204	10	4	8	18.5	11.25	17	9.12	8	
	-	15	15†	29	34	48		254	102	203	470	286	432	232	203	
N716-19-20-10.5J	-	50	50	64	82*	99	N204	10	4	10.5	20.75	11.25	20	10.62	8	
	-	15	15	29	37	45		254	102	267	527	286	508	270	203	
N716-23-24-15.5J	-	65	65	79	86*	114	N204	10	4	15.5	23.75	11.25	24	12.62	8	
	-	20	20	36	39	52		254	102	394	603	286	610	321	203	
N716-23-24-15.5G	100	75	65	94	101*	129	N204	10	4	15.5	23.75	11.25	24	12.62	8	
	30	23	20	43	46	59		254	102	394	603	286	610	321	203	
N716-25-26-15.5B	-	75	75	90	-	125	N204	10	4	15.5	25.25	11.25	26	13.62	8	
	-	23	23	41	-	57		254	102	394	641	286	660	346	203	
N718-25-26-15.5G	-	100	100	96	-	131	N206	12	6	15.5	25.25	13.25	26	13.62	10	
	-	30	30	44	-	59		305	152	394	641	337	660	346	254	

Notes: A hose stop is necessary on hose to keep spring from unwinding.

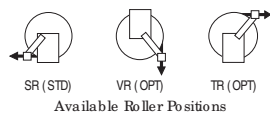
1. Specifications subject to change.
2. Reel models and capacities shown are for standard drag applications; for vertical lift applications consult factory.
3. Other sizes, from standard components, available on request.
4. **Finish:** refer to Page 4.
5. **Be sure to check dimensions and weights prior to ordering.**

NOTICE: A Flexible Connector must be used between the inlet pipe and the inlet swivel joint.

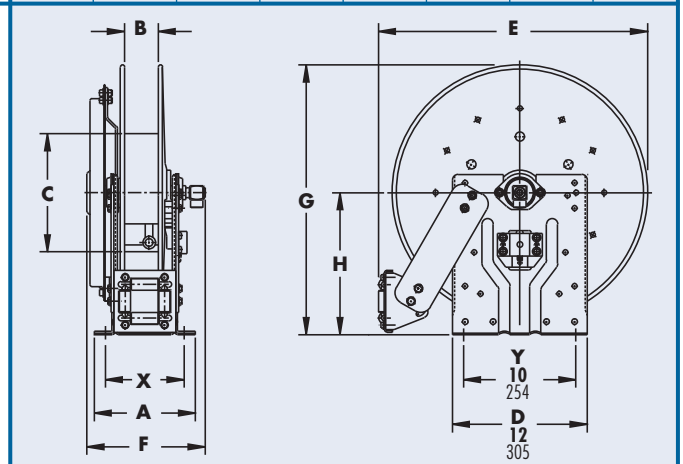
* Dimensional weight may apply when shipped as a parcel package (via FedEx or UPS Ground).

*** x,y indicate mounting holes. See page 2

† Capacity based on low pressure air hose only



Available Roller Positions

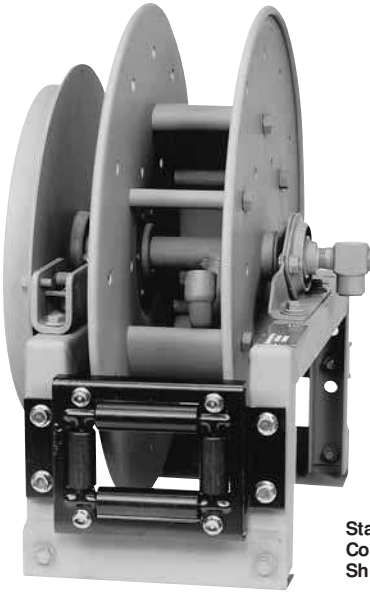


700

SPRING REWIND REELS

To handle 1/4" through 1/2" I.D. hose.

- Rollformed channel frame for heavy-duty applications.
- Non sparking ratchet assembly.
- Declutching arbor to prevent damage from reverse winding.
- Standard inlet 90° balanced pressure swivel joint 1/2" female NPT threads.
- Standard outlet 1/2" female NPT threads.
- Standard Pressures to 3000 psi (207 bar) (available up to 10,000 psi 690 bar).
- Temperatures from -60° F to +250° F (-51° C to +121° C).
- Consult factory for other pressures & temps.
- 4-way roller assembly.
- Constant Tension is available – consult factory.



Standard Configuration Shown

For:

- Lubrication
- Air/ Water
- Assembly Operations
- Washdown
- Air Tools
- General Industrial Applications

Parts Drawing – ISO 66

Model Number	Hose Capacity of Reel			Approx. Weight			Standard Roller Assy	Reel Dimensions***									
	feet			lb.				inches									
	m.			kg.				mm.									
	I.D. (in)	3/8"	1/2"	NET	UPS/FedEx	Freight		A	B	C	D	E	F	G	H	X	Y
	I.D. (mm)	10	13		SHIP Wt.	SHIP Wt.											
716-23-24-15.5J		65	65	79	86*	114	R204	9.25	4	15.5	23.25	24.38	12.75	23.88	12.5	4.5	20
		20	20	36	39	52		235	102	394	591	619	324	607	318	114	508
716-23-24-15.5G		75	65	94	102*	129	R204	9.25	4	15.5	23.25	24.38	12.75	23.88	12.5	4.5	20
		23	20	43	46	59		235	102	394	591	619	324	607	318	114	508
716-25-26-15.5B		75	75	90	-	125	R204	9.25	4	15.5	25	26.12	12.75	25.88	13.5	4.5	21.75
		23	23	41	-	57		235	102	394	635	663	324	657	343	114	552
718-25-26-15.5G		100	100	96	-	131	R206	11.25	6	15.5	25	26.12	14.75	25.88	13.5	6.5	21.75
		30	30	44	-	59		286	152	394	635	663	375	657	343	165	552
718-30-31-20D		150	125	127	-	162	R206	11.25	6	20	28.5	29.62	15.5	31.38	17	6.5	25.25
		46	38	58	-	73		286	152	508	724	752	394	797	432	165	641

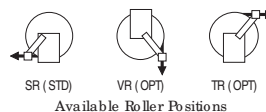
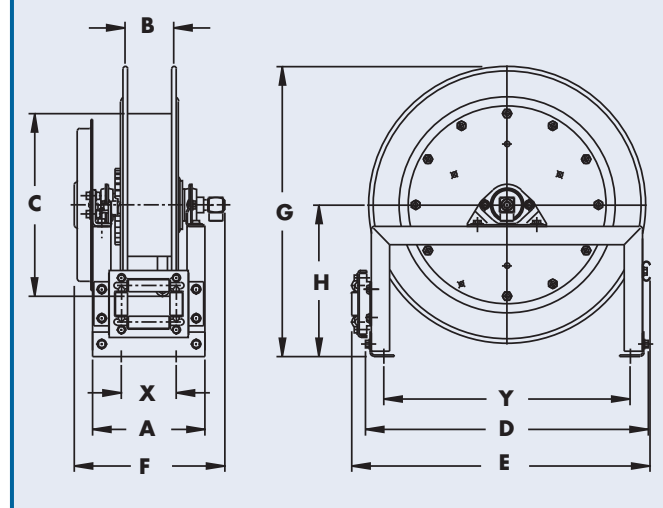
Notes: A hose stop is necessary on hose to keep spring from unwinding.

1. Specifications subject to change.
2. Reel models and capacities shown are for standard drag applications; for vertical lift applications consult factory.
3. Other sizes, from standard components, available on request.
4. **Finish:** refer to Page 4.
5. **Be sure to check dimensions and weights prior to ordering.**

NOTICE: A Flexible Connector must be used between the inlet pipe and the inlet swivel joint.

* Dimensional weight may apply when shipped as a parcel package (via FedEx or UPS Ground).

*** x,y indicate mounting holes. See page 2



N800

SPRING REWIND REELS

To handle 3/4" or 1" I.D. hose.

- Standard N series has a narrow frame and compact mounting base.
- Non sparking ratchet assembly.
- Declutching arbor to prevent damage from reverse winding.
- Standard inlet 90° balanced pressure swivel joint 1" female NPT threads.
- Standard outlet 1" female NPT threads.
- Pressures to 2000 psi (138 bar).
- Temperatures from -40° F to +250° F (-40° C to +121° C).
- Consult factory for other pressures & temps.
- 4-way roller assembly
- Constant Tension is available – consult factory.



Optional TR roller position shown

For:

- Fuel Dispensing
- Waste Oil Evacuation
- (Consult Factory)
- Air/ Water

Parts Drawing – ISO 81

Model Number	Hose Capacity			Approx. Weight			Standard Roller Assy	Reel Dimensions***							
	feet			lb.				in.							
	m.			kg.				mm							
I.D. (in)	3/4"	1"	NET	UPS/ FedEx	SHIP Wt.	Freight SHIP Wt.	A	B	C	E	F	G	H	X	
I.D. (mm)	19	25													O.D. (in)
N816-19-20-10.5J	25	15	75	83*	110	N204	10	4	10.5	20.75	13	20	10.62	8	
	8	5	34	38	50		254	102	267	527	330	508	270	203	
N818-23-24-10.5J	50	25	87	-	122	N206	12	6	10.5	23.75	15	24	12.62	10	
	15	8	39	-	55		305	152	267	603	381	610	321	254	
N816-25-26-10.5B	60	35	96	-	131	N204	10	4	10.5	25.25	13	26	13.62	8	
	18	11	44	-	59		254	102	267	641	330	660	346	203	
N818-25-26-10.5B	70	50	102	-	137	N206	12	6	10.5	25.25	15	26	13.62	10	
	21	15	46	-	62		305	152	267	641	381	660	346	254	

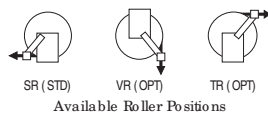
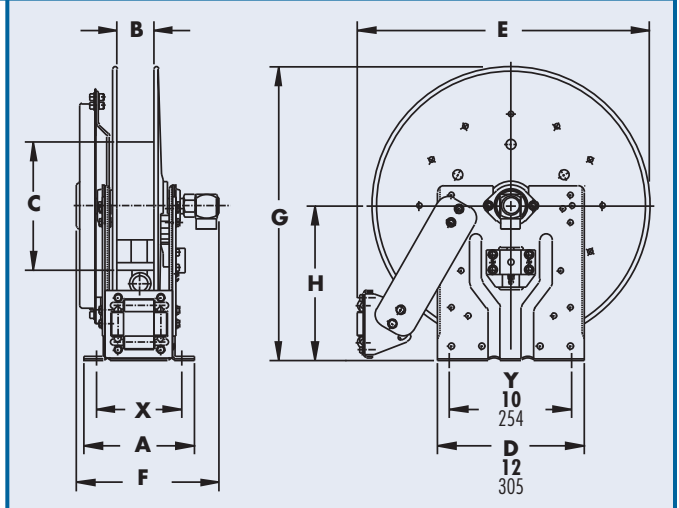
Notes: A hose stop is necessary on hose to keep spring from unwinding.

1. Specifications subject to change.
2. Reels models and capacities shown are for standard drag applications; for vertical lift applications consult factory.
3. Other sizes, from standard components, available on request.
4. **Finish:** refer to Page 4.
5. **Be sure to check dimensions and weights prior to ordering.**

NOTICE: A Flexible Connector must be used between the inlet pipe and the inlet swivel joint.

* Dimensional weight may apply when shipped as a parcel package (via FedEx or UPS Ground).

*** x,y indicate mounting holes. See page 2



800

SPRING REWIND REELS

To handle 3/4" or 1" I.D. hose.



Standard Configuration Shown

- Rollformed channel frame for heavy-duty applications.
- Non sparking ratchet assembly.
- Declutching arbor to prevent damage from reverse winding.
- Standard inlet 90° balanced pressure swivel joint 1" female NPT threads.
- Standard outlet 1" female NPT threads.
- Pressures to 2000 psi (138 bar).
- Temperatures from -40° F to +250° F (-40° C to +121° C).
- Consult factory for other pressures & temps.
- 4-way roller assembly.
- Constant Tension is available – consult factory.

For:

- Fuel Dispensing (Consult Factory)
- Waste Oil Evacuation
- Air/ Water

Parts Drawing – ISO 42

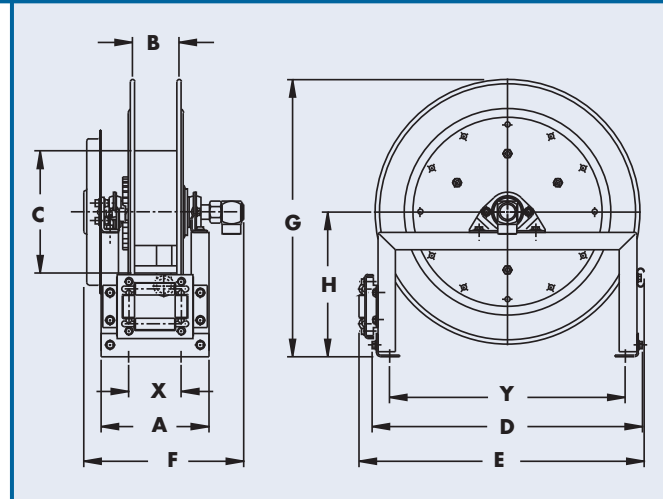
Model Number	Hose Capacity			Approx. Weight		Standard Roller Assy	Reel Dimensions***										
	feet			lb.	kg.		in.										
	m.						NET	SHIP	A	B	C	D	E	F	G	H	X
	I.D. (in)	3/4"	1"														
	I.D. (mm)	19	25														
	O.D. (in)	1-9/32"	1-9/16"														
	O.D. (mm)	33	40														
818-23-24-10.5J	50	25	87	122	R206	11.25	6	10.5	23.25	24.38	15.5	23.88	12.5	6.5	20		
	15	8	39	55		286	152	267	591	619	394	607	318	165	508		
816-25-26-10.5B	60	35	96	131	R204	9.25	4	10.5	25	26.12	13.5	25.88	13.5	4.5	21.75		
	18	11	44	59		235	102	267	635	663	343	657	343	114	552		
818-25-26-10.5B	70	50	102	137	R206	11.25	6	10.5	25	26.12	15.5	25.88	13.5	6.5	21.75		
	21	15	46	62		286	152	267	635	663	394	657	343	165	552		
820-25-26-10.5A	85	75	131	166	R308	13.25	8	10.5	25	27	18.25	25.88	13.5	8.5	21.75		
	26	23	59	75		337	203	267	635	686	464	657	343	216	552		
820-30-31-10.5A	-	100	137	172	R308	13.25	8	10.5	28.5	30.5	18.25	31.38	17	8.5	25.25		
	-	30	62	78		337	203	267	724	775	464	797	432	216	641		
820-30-31-15.5A	100	-	145	180	R308	13.25	8	15.5	28.5	30.5	18.25	31.38	17	8.5	25.25		
	30	-	66	82		337	203	394	724	775	464	797	432	216	641		

Notes: A hose stop is necessary on hose to keep spring from unwinding.

1. Specifications subject to change.
2. Reels models and capacities shown are for standard drag applications; for vertical lift applications consult factory.
3. Other sizes, from standard components, available on request.
4. **Finish:** refer to Page 4.
5. **Be sure to check dimensions and weights prior to ordering.**

NOTICE: A Flexible Connector must be used between the inlet pipe and the inlet swivel joint.

*** x,y indicate mounting holes. See page 2

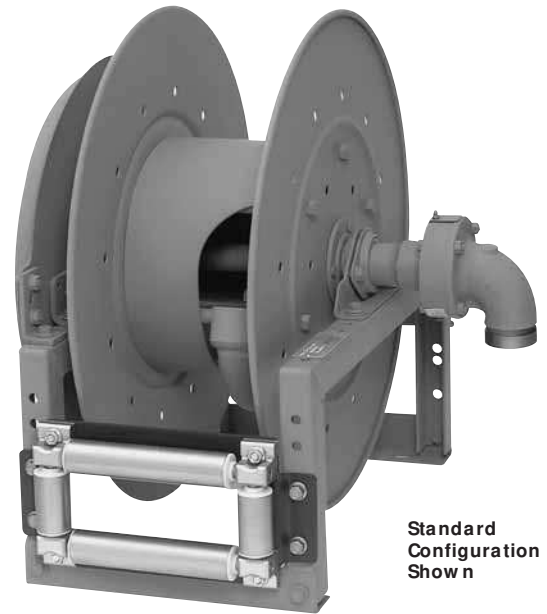


900

SPRING REWIND REELS

To handle 1-1/4" or 1-1/2" I.D. hose.

- Rollformed channel frame construction.
- Non sparking ratchet assembly.
- Declutching arbor to prevent damage from reverse winding.
- Standard inlet 90° swivel joint 1-1/2" female NPT threads and 2" victaulic groove.
- Standard outlet 1-1/2" female NPT threads.
- Pressures to 600 psi (41 bar)
- Temperatures from -60° F to +175° F (-51° C to +79° C).
- Consult factory for other pressures & temps.
- 4-way roller assembly.
- Constant Tension is available – consult factory.



Standard Configuration Shown

For:

- Bulk Transfer
- Fuel Dispensing (Consult Factory)
- Suction/ Discharge (Consult Factory)

Parts Drawing – ISO 29

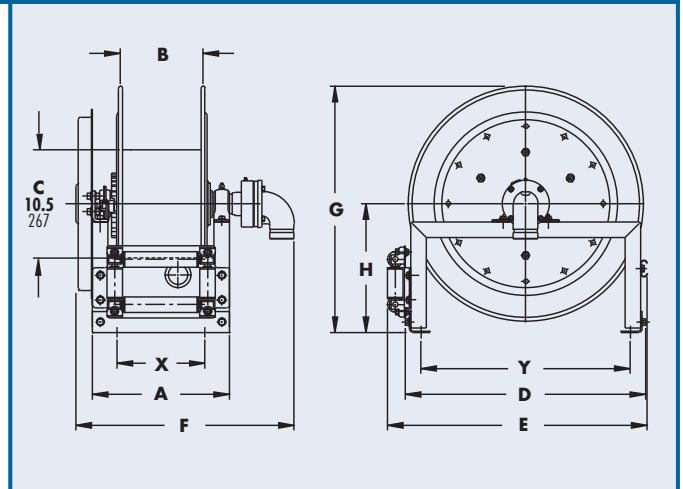
Model Number	Hose Capacity of Reel			Weight		Standard Roller Assy	Reel Dimensions***								
	feet			NET	SHIP		inches								
	m.						mm.								
I.D. (in) I.D. (mm)	1-1/4" 32	1-1/2" 38			A	B	D	E	F	G	H	X	Y		
922-23-24B	40	25		104	139	R310	15.25	10	23.25	25.25	24	23.88	12.5	10.5	20
	12	8		47	63		387	254	591	641	610	607	318	267	508
920-25-26A	50	40		127	162	R308	13.25	8	25	27	22.75	25.88	13.5	8.5	21.75
	15	12		58	73		337	203	635	686	578	657	343	216	552
922-30-31A	75	50		156	191	R310	15.25	10	28.5	30.5	24.75	31.38	17	10.5	25.25
	23	15		71	87		387	254	724	775	629	797	432	267	641

Notes: A hose stop is necessary on hose to keep spring from unwinding.

1. Specifications subject to change.
2. Reel models and capacities shown are for standard drag applications; for vertical lift applications consult factory.
3. Other sizes, from standard components, available on request.
4. **Finish:** refer to Page 4.
5. **Be sure to check dimensions and weights prior to ordering.**

NOTICE: A Flexible Connector must be used between the inlet pipe and the inlet swivel joint.

*** x,y indicate mounting holes. See page 2



AG

SPRING RETRACTABLE REELS WITH PATENTED AIR SPEED CONTROL GOVERNOR

To handle 1/4" through 1-1/2" I.D. hose.

Most Hannay spring reel models are available with an air governor rewind assist, which prevents the hose from winding back onto the reel too quickly. Speed is regulated by restricting air flow through an air governor attached to the rewind mechanism. The result is smooth, controlled rewind speed each and every time.

Unlike other speed control mechanisms designed for spring retractable reels, there are 3 major advantages to the Hannay design:

- 1. Highly scalable** – The air speed control governor can be scaled up to regulate speed on even the most powerful spring reels we offer. Other designs can only work on light-duty springs.
- 2. Operates in all climates** – Because the AG series uses air flow to control speed, (and not hydraulic fluid which can change viscosity depending on temperature), the reel's rewind speed is controlled and unaffected even by cold weather.
- 3. Fully adjustable** – The end user can turn the air restrictor clockwise or counterclockwise until the optimal rewind speed is found for the application.

For further information (other than dimensions) on any of the AG series reels listed below, please go to the following pages in this catalog:

- **AG600 Series:** Go to page 7 (600 Series)
- **AG700 Series:** Go to page 9 (700 Series)
- **AG800 Series:** Go to page 11 (800 Series)
- **AG900 Series:** Go to page 12 (900 Series)



AG800



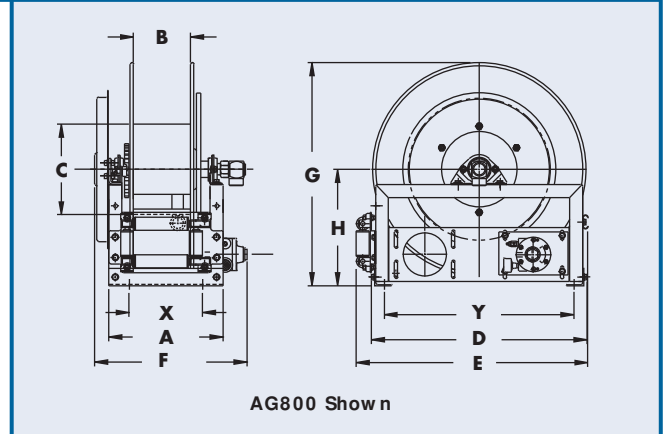
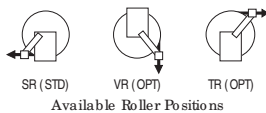
Model Number	Hose Capacity of Reel feet m.								Std Roller Assy	Approx. Weight		Reel Dimensions*** inches mm.									
	I.D. (in)	1/4	3/8	1/2	3/4	1	1-1/4	1-1/2		NET	SHIP	A	B	C	D	E	F	G	H	X	Y
	I.D. (mm)	6	10	13	19	25	32	38													
O.D. (in)	5/8	3/4	7/8	1-9/32	1-9/16	1-13/16	2-1/16														
O.D. (mm)	16	19	22	33	40	46	52														
AG615-23-24-10.5B	2/65 2/20	2/60 2/18	2/30 2/9	-	-	-	-	AG303	117 53	152 69	9.25 235	3 76	10.5 267	23.25 591	25.25 641	15.75 400	23.88 607	12.5 318	4.5 114	20 508	
AG617-25-26-15.5B	2/75 2/23	2/75 2/23	2/50 2/15	-	-	-	-	AG305	118 54	153 69	11.25 286	5 127	15.5 394	25 635	27 686	17.75 451	25.88 657	13.5 343	6.5 165	21.75 552	
AG617-25-26-15.5A	2/100 2/30	2/85 2/26	-	-	-	-	-	AG305	145 66	180 82	11.25 286	5 127	15.5 394	25 635	27 686	18.50 470	25.88 657	13.5 343	6.5 165	21.75 552	
AG618-30-31-15.5A	-	-	2/100 2/30	2/50 2/15	-	-	-	AG306	155 70	190 86	12.25 311	6 153	15.5 394	28.5 724	30.5 775	19.50 495	31.38 797	17 432	7.5 190	25.25 641	
AG716-19-20-10.5J	-	50 15	50 15	-	-	-	-	AG304	101 46	136 62	10.25 260	4 102	10.5 267	18 457	20 508	14.75 375	19.75 502	10.5 267	5.5 139	14.75 375	
AG716-23-24-15.5J	-	65 20	65 20	-	-	-	-	AG304	111 50	146 66	10.25 260	4 102	15.5 394	23.25 591	25.25 641	14.75 375	23.88 607	12.5 318	5.5 139	20 508	
AG716-25-26-15.5B	-	75 23	75 23	-	-	-	-	AG304	115 52	150 68	10.25 260	4 102	15.5 394	25 635	27 686	14 356	25.88 657	13.5 343	5.5 139	21.75 552	
AG718-25-26-15.5G	-	100 30	100 30	-	-	-	-	AG306	121 55	156 71	12.25 311	6 152	15.5 394	25 635	27 686	16 406	25.88 657	13.5 343	7.5 190	21.75 552	
AG718-30-31-20D	-	150 46	125 38	-	-	-	-	AG306	152 69	187 85	12.25 311	6 152	20 508	28.5 724	30.5 775	16.75 425	31.38 797	17 432	7.5 190	25.25 641	
AG818-23-24-10.5J	-	-	-	50 15	25 8	-	-	AG306	110 50	145 66	13 331	6 152	10.5 267	23.25 591	25.25 641	16.75 425	23.88 607	12.5 318	7.5 190	20 508	
AG816-25-26-10.5B	-	-	-	60 18	35 11	-	-	AG304	121 55	156 71	10.25 260	4 102	10.5 267	25 635	27 686	14.75 375	25.88 657	13.5 343	5.5 140	21.75 552	
AG818-25-26-10.5B	-	-	-	70 21	50 15	-	-	AG306	127 58	162 73	12.25 311	6 152	10.5 267	25 635	27 686	16.75 425	25.88 657	13.5 343	7.5 190	21.75 552	
AG820-25-26-10.5A	-	-	-	85 26	75 23	-	-	AG308	156 71	191 87	14.25 362	8 204	10.5 267	25 635	27 686	19.5 495	25.88 657	13.5 434	9.5 241	21.75 552	
AG820-30-31-10.5A	-	-	-	-	100 30	-	-	AG308	162 73	197 89	14.25 362	8 204	10.5 267	28.5 724	30.5 775	19.5 495	31.38 797	17 432	9.5 241	25.25 641	
AG820-30-31-15.5A	-	-	-	100 30	-	-	-	AG308	170 77	205 93	14.25 362	8 204	15.5 394	28.5 725	30.5 775	19.5 495	31.38 797	17 432	9.5 241	25.25 641	
AG920-25-26A	-	-	-	-	-	50 15	40 12	AG308	152 69	187 85	14.5 362	8 204	10.5 267	25 635	27 686	24 610	25.88 657	13.5 343	9.5 241	21.75 552	
AG922-30-31A	-	-	-	-	-	75 23	50 15	AG310	181 82	216 98	16.25 413	10 254	10.5 267	28.5 724	30.5 775	26 660	31.38 797	17 432	11.5 292	25.25 641	

Notes: A hose stop is necessary on hose to keep spring from unwinding.

1. Specifications subject to change.
2. Reels models and capacities shown are for standard drag applications; for vertical lift applications consult factory.
3. Other sizes, from standard components, available on request.
4. **Finish:** refer to Page 4.
5. **Be sure to check dimensions and weights prior to ordering.**

NOTICE: A Flexible Connector must be used between the inlet pipe and the inlet swivel joint.

*** x,y indicate mounting holes. See page 2.



1000

COMPACT MANUAL REWIND REELS



Standard Configuration Shown

To handle single 1/4" or 3/8" I.D. hose.

- Lightweight
- Compact
- Direct crank rewind permanently attached.
- Adjustable cam lock brake standard.
- Optional pin lock available.
- Standard inlet 90° ball bearing swivel joint 1/2" female NPT threads.
- Standard outlet 3/8" female NPT threads.
- Pressures to 3000 psi (207 bar).
- Temperatures from +20° F to +400° F (-7° C to +204° C).
- Consult factory for other pressures & temps.

For:

- Pressure Washing
- Washdown
- Spray Operations
- Air

Parts Drawing – ISO 165

Model Number	Hose Capacity of Reel			Approx. Weight			Reel Dimensions***			
	feet m.			Crank Rewind			inches mm.			
	I.D. (in) I.D. (mm)	1/4" 6	3/8" 10	NET	UPS/ FedEx	Freight	A	B	F	X
	O.D. (in) O.D. (mm)	5/8" 16	3/4" 19		SHIP Wt.	SHIP Wt.				
1014-14-16		100 31	75 23	23 10	42* 19	58 26	8.12 206	6 152	19 483	4 102
1016-14-16		150 46	100 31	24 11	42* 19	59 27	10.12 257	8 203	21 533	6 152
1020-14-16		250 76	175 53	25 11	42* 19	60 27	14.12 359	12 305	25 635	10 254

Notes:

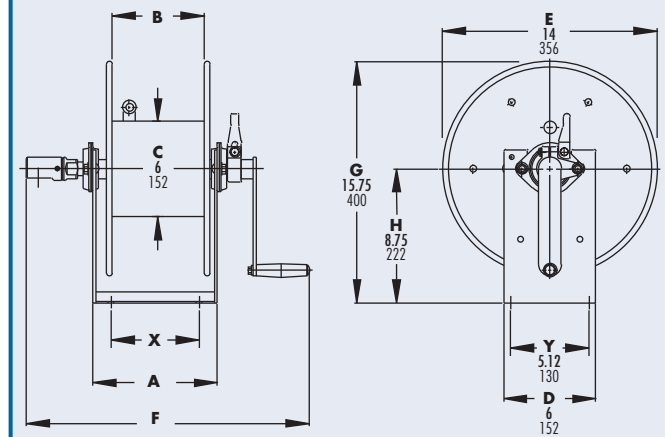
1. Specifications subject to change.
2. Other sizes, from standard components, available on request.
3. **Finish:** refer to Page 4.

4. Be sure to check dimensions and weights prior to ordering.

NOTICE: A Flexible Connector must be used between the inlet pipe and the inlet swivel joint.

* Dimensional weight may apply when shipped as a parcel package (via FedEx or UPS Ground).

*** x,y indicate mounting holes. See page 2



1500

MANUAL OR POWER REWIND REELS

To handle single 1/4" through 5/8" I.D. hose.

- Lightweight compact reels designed for long lengths of hose in manual and power rewind.
- Direct crank rewind is permanently attached.
- Chain and sprocket drive powered by electric, hydraulic, or compressed air motor.
- Manual reels include: cam-lock drag brake, spring actuated pin lock.
- Standard inlet 90° ball bearing swivel joint 1/2" female NPT threads.
- Standard outlet 1/2" female NPT threads.
- Optional Rollers: Specify roller position when ordering.
- Pressures to 3000 psi (207 bar)
- Temperatures from +20° F to +400° F (-7° C to +204° C).
- Consult factory for other pressures & temps.



Electric Rewind Standard Configuration Shown

For:

- Lawn Care
- Pest Control
- Pressure Washing
- Agriculture
- Steam Cleaning



Optional External Mounting Brackets part no. 9906.0027. Add 2-1/2" to the X dimensions shown in the chart.

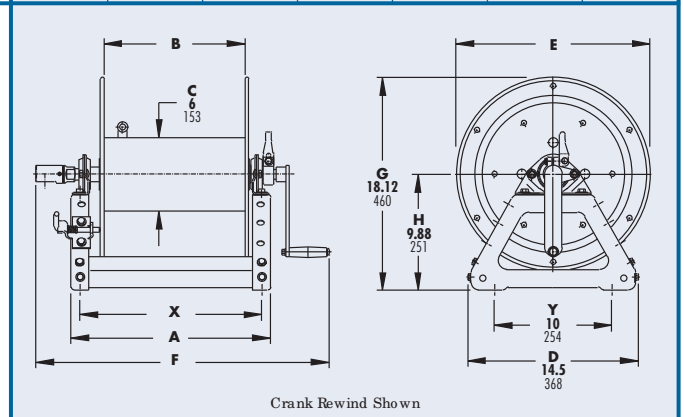
Parts Drawing – ISO 90 (power); ISO 179 (manual)

Model Number	Hose Capacity of Reel feet m.				Approx. Weight Crank Rewind 3 lb. kg.			Reel Dimensions*** inches mm.							
	I.D. (in) I.D. (mm)	1/4" 6	3/8" 10	1/2" 13	5/8" 16	NET	UPS/ FedEx SHIP Wt.	Freight SHIP Wt.	A	B	E CRANK	E POWER	F CRANK	F POWER	X
1514-17-18		175 53	125 38	75 23	50 15	27 12	65* 30	62 28	11 279	6 152	16.5 419	19 483	18.5 470	16.5 419	9.5 241
1520-17-18		350 107	275 84	175 53	125 38	29 13	80* 36	64 29	17 432	12 305	16.5 419	19 483	24.5 622	22.5 572	15.5 394
1526-17-18		500 152	400 122	300 91	200 61	31 14	98* 45	66 30	23 584	18 457	16.5 419	19 483	30.5 775	28.5 724	21.5 546
1530-17-18		- -	500 152	375 114	275 84	33 15	110* 50	68 31	27 686	22 559	16.5 419	19 483	34.5 876	32.5 826	25.5 648
1536-17-18		- -	- -	475 145	350 107	35 16	129* 59	70 32	33 838	28 711	16.5 419	19 483	40.5 1029	38.5 978	31.5 800

Notes:

1. Specifications subject to change.
2. Upon request, reels can be supplied with drum lengths other than shown.
3. Weights shown in chart are for crank rewind models. ADD these amounts for power rewind models, does not apply to FedEx or UPS.

	Net (lbs.)/ kg	Ship (lbs.)/ kg
Electric	18/ 8.2	18/ 8.2
Hydraulic	15/ 6.8	15/ 6.8
Air	15/ 6.8	15/ 6.8
- * Dimensional weight applies when shipped as a parcel package (via FedEx or UPS Ground).
4. Dimension "F" is the overall length of standard model reels.
5. When ordering power rewind models, prefix model number with:
 A = Air Rewind E = Electric Rewind HD = Hydraulic Rewind
 (Air rewind reels are supplied with control valve and 18" air hose; 12v and 24v DC rewind reels are supplied with switch and solenoid; 115v AC rewind reels are not supplied with switch but can be ordered separately; hydraulic rewind reels are not supplied with control valve.)
6. Manual rewind available in RT or IB configurations only.
7. Finish: refer to Page 4.
8. Be sure to check dimensions and weights prior to ordering.
9. Some roller options may prohibit the use of our molded chain guard.



Crank Rewind Shown

NOTICE: A Flexible Connector must be used between the inlet pipe and the inlet swivel joint.

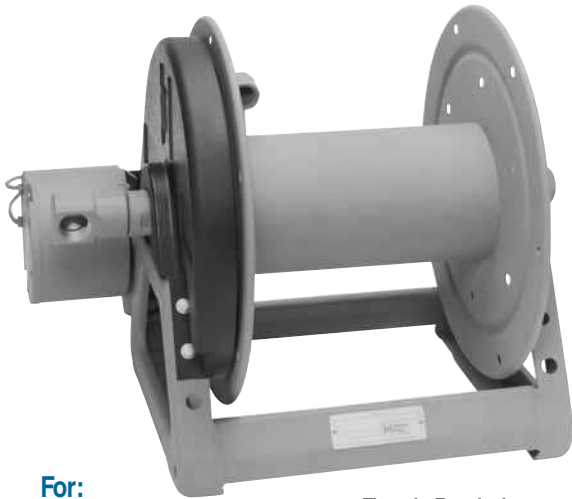
*** x,y indicate mounting holes. See page 2

1800

MANUAL OR POWER REWIND REELS

To handle single 5/ 8" or 3/ 4" I.D. hose.

- *Lightweight compact reels designed for long lengths of hose in manual and power rewind.*
- *Direct crank rewind is permanently attached.*
- *Chain and sprocket drive powered by electric, hydraulic, or compressed air motor.*
- *Manual reels include: cam-lock drag brake, spring actuated pin lock.*
- *Standard inlet 90° ball bearing swivel joint 1" female NPT threads.*
- *Standard outlet 3/ 4" female NPT threads.*
- *Optional Rollers: Specify roller position when ordering.*
- *Pressures to 2000 psi (138 bar).*
- *Temperatures from -40° F to +250° F (-40° C to +121° C).*
- *Consult factory for other pressures & temps.*



For:

- Air Compressors
- Washdown

Electric Rewind
Standard Configuration
Shown



Optional External
Mounting Brackets
part no. 9906.0027.
Add 2-1/2" to the X
dimensions shown in
the chart.

Parts Drawing – ISO 136 (power); ISO 180 (manual)

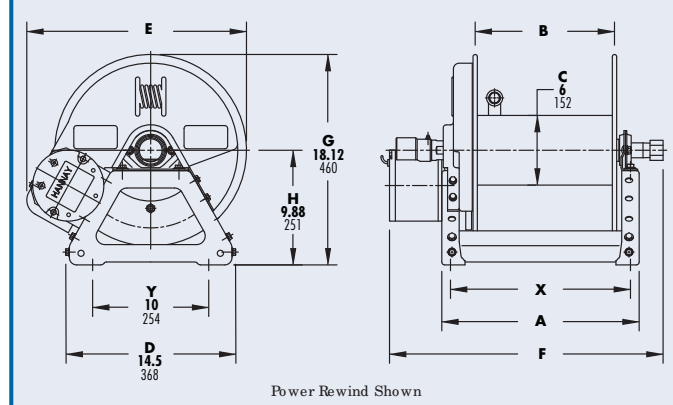
Model Number	Hose Capacity of Reel			Approx. Weight			Reel Dimensions***						
	I.D. (in)	5/ 8"	3/ 4"	NET	UPS/ FedEx	Freight	A	B	E CRANK	E POWER	F CRANK	F POWER	X
For Power Rewind See Note 5	I.D. (mm)	16	19										
	O.D. (in)	1"	1-9/ 32"										
	O.D. (mm)	25	40										
1816-17-18		75	50	28	80*	63	13	8	16.5	19	23.38	18.5	11.5
		23	15	13	36	29	330	203	419	483	594	470	292
1822-17-18		150	100	30	98*	65	19	14	16.5	19	29.38	24.5	17.5
		46	30	14	45	29	483	356	419	483	746	622	445
1826-17-18		200	125	32	98*	67	23	18	16.5	19	33.38	28.5	21.5
		61	38	15	45	30	584	457	419	483	848	724	546
1830-17-18		275	150	33	110*	68	27	22	16.5	19	37.38	32.5	25.5
		84	46	15	50	31	686	559	419	483	950	826	648
1836-17-18		350	200	36	129*	71	33	28	16.5	19	43.38	38.5	31.5
		107	61	16	59	32	838	711	419	483	1102	978	800

Notes:

1. Specifications subject to change.
2. Upon request, reels can be supplied with drum lengths other than shown.
3. Weights shown in chart are for crank rewind models. ADD these amounts for power rewind models, does not apply to FedEx or UPS.

	Net (lbs.)/ kg	Ship (lbs.)/ kg
Electric	18/ 8.2	18/ 8.2
Hydraulic	15/ 6.8	15/ 6.8
Air	15/ 6.8	15/ 6.8

- * Dimensional weight applies when shipped as a parcel package (via FedEx or UPS Ground).
4. Dimension "F" is the overall length of standard model reels.
5. When ordering power rewind models, prefix model number with:
A = Air Rewind E = Electric Rewind HD = Hydraulic Rewind
(Air rewind reels are supplied with control valve and 18" air hose; 12v and 24v DC rewind reels are supplied with switch and solenoid; 115v AC rewind reels are not supplied with switch but can be ordered separately; hydraulic rewind reels are not supplied with control valve.)
6. Manual rewind available in RT or LB configurations only.
7. **Finish:** refer to Page 4.
8. **Be sure to check dimensions and weights prior to ordering.**
9. Some roller options may prohibit the use of our molded chain guard.



Power Rewind Shown

NOTICE: A Flexible Connector must be used between the inlet pipe and the inlet swivel joint.

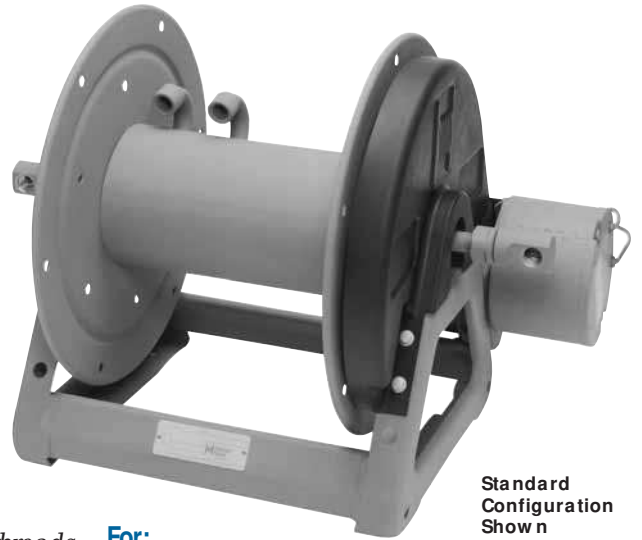
*** x,y indicate mounting holes. See page 2

2000

MANUAL OR POWER REWIND REELS

To handle dual 1/4" through 1/2" I.D. hose.

- Two swivel joint inlets and two outlet risers to handle two equal lengths of hose.
 - Chain-drive crank rewind or chain and sprocket rewind powered by an electric, or compressed air motor.
 - MX Crank rewind reels pinion brake as standard.
 - Power rewind reels are not supplied with a brake.
 - Standard inlets 90° ball bearing swivel joints 1/2" female NPT threads.
 - Standard outlets 1/2" female NPT threads.
 - Pressures to 3000 psi (207 bar).
 - Temperatures from +20° F to +400° F (-7° C to +204° C).
 - Consult factory for other pressures & temps.
 - Reels for use with oxygen/ acetylene.
- See Series 2400 Hannay Reels Welding Catalog H0408-W.



Standard Configuration Shown

For:

- Hydraulics
- Air/ Water
- Spray Painting



Optional External Mounting Brackets part no. 9906.0027. Add 2-1/2" to the X dimensions shown in the chart.

Parts Drawing – ISO 112

Model Number	Hose Capacity of Reel feet m.				Approx. Weight Crank Rewind 3 lb. kg.			Reel Dimensions*** inches mm.						
	I.D. (in) I.D. (mm)	1/4" 6	3/8" 10	1/2" 13	NET	UPS/ FedEx SHIP Wt.	Freight SHIP Wt.	A	B	E CRANK	E POWER	F CRANK	F POWER	X
2016-17-18		2/ 100 2/ 31	2/ 75 2/ 23	2/ 50 2/ 15	32 15	80* 36	67 30	13 330	8 203	18.5 470	19 483	21 533	20 508	11.5 292
2020-17-18		2/ 175 2/ 53	2/ 125 2/ 38	2/ 75 2/ 23	34 15	98* 45	69 31	17 432	12 305	18.5 470	19 483	25 635	24 610	15.5 394
2026-17-18		2/ 275 2/ 84	2/ 200 2/ 61	2/ 125 2/ 38	36 16	110* 50	71 32	23 584	18 457	18.5 470	19 483	31 787	30 762	21.5 546
2030-17-18		2/ 350 2/ 107	2/ 250 2/ 76	2/ 175 2/ 53	37 17	129* 59	72 33	27 686	22 559	18.5 470	19 483	35 889	34 864	25.5 648
2036-17-18		2/ 425 2/ 130	2/ 300 2/ 91	2/ 225 2.69	39 18	129* 59	74 34	33 838	28 711	18.5 470	19 483	41 1041	40 1016	31.5 800

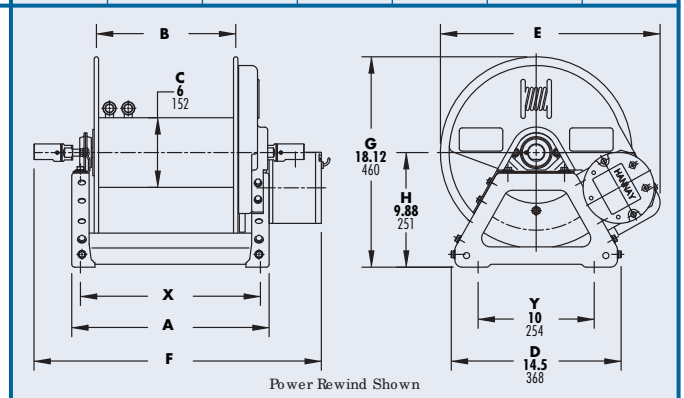
Notes:

1. Specifications subject to change.
2. Upon request, reels can be supplied with drum lengths other than shown and with disc sizes in other diameters.
3. Weights shown in chart are for crank rewind models. ADD these amounts for power rewind models, does not apply to FedEx or UPS.

	Net (lbs.)/ kg	Ship (lbs.)/ kg
Electric	18/ 8.2	18/ 8.2
Air	15/ 6.8	15/ 6.8
- * Dimensional weight applies when shipped as a parcel package (via FedEx or UPS Ground).
4. Dimension "F" is the overall length of standard model reels. MX chain drive crank models, reels require 2" clearance to remove crank handle.
5. When ordering, prefix model number with:

A = Air Rewind	E = Electric Rewind
MX = Chain Drive Crank	

(Air rewind reels are supplied with control valve and 18" air hose; 12v and 24v DC rewind reels are supplied with switch and solenoid; 115v AC rewind reels are not supplied with switch but can be ordered separately.)
6. **Finish:** refer to Page 4.
7. **Be sure to check dimensions and weights prior to ordering.**
8. Some roller options may prohibit the use of our molded chain guard.



NOTICE: A Flexible Connector must be used between the inlet pipe and the inlet swivel joint.

*** x,y indicate mounting holes. See page 2

G2000

MANUAL REWIND REELS

To handle dual 1/4" through 1/2" I.D. hose.

- Two swivel joint inlets and two outlet risers to handle two equal lengths of hose.
- Gear-drive crank rewind.
- Pinion brake as standard.
- Standard inlets 90° ball bearing swivel joints 1/2" female NPT threads.
- Standard outlets 1/2" female NPT threads.
- Pressures to 3000 psi (207 bar).
- Temperatures from +20° F to +400° F (-7° C to +204° C).
- Consult factory for other pressures & temps.
- For power rewind see Series 2000, pg. 16.
- Reels for use with oxygen/ acetylene.
(See Welding Catalog H-0408-W).



- For:
- Hydraulics
 - Air/ Water
 - Spray Painting

Standard Gear Driven Crank Rewind Shown



Optional External Mounting Brackets part no. 9906.0027. Add 2-1/2" to the X dimensions shown in the chart.

Parts Drawing – ISO 205

Model Number	Hose Capacity of Reel				Approx. Weight			Reel Dimensions***			
	feet				Crank Rewind			inches			
	m.				lb.			mm.			
I.D. (in)	1/4"	3/8"	1/2"	NET	UPS/ FedEx SHIP Wt.	Freight SHIP Wt.	A	B	F	X	
I.D. (mm)	6	10	13								
O.D. (in)	5/8"	3/4"	7/8"								
O.D. (mm)	16	19	22								
G2016-17-18-8	2/ 75	2/ 50	2/ 35	40	80*	75	13	8	21	11.5	
	2/ 23	2/ 15	2/ 11	15	36	34	330	203	533	292	
G2020-17-18-8	2/ 125	2/ 100	2/ 50	42	98*	77	17	12	25	15.5	
	2/ 38	2/ 31	2/ 15	18	45	35	432	305	635	394	
G2026-17-18-8	2/ 200	2/ 150	2/ 100	44	110*	79	23	18	31	21.5	
	2/ 61	2/ 46	2/ 31	19	50	36	584	457	787	546	

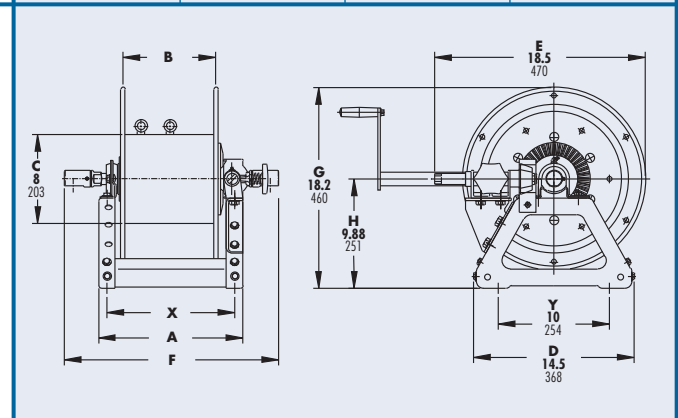
Notes:

1. Specifications subject to change.
2. Upon request, reels can be supplied with drum lengths other than shown.
3. **Finish:** refer to Page 4.
4. **Be sure to check dimensions and weights prior to ordering.**

NOTICE: A Flexible Connector must be used between the inlet pipe and the inlet swivel joint.

* Dimensional weight applies when shipped as a parcel package (via FedEx or UPS Ground).

*** x,y indicate mounting holes. See page 2

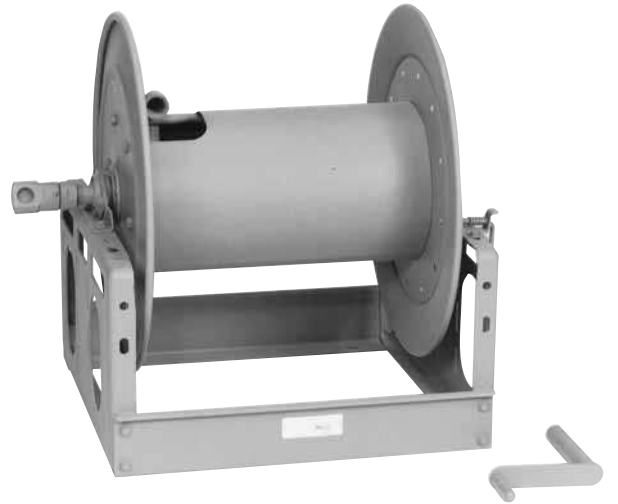


3000

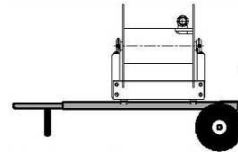
MANUAL REWIND REELS

To handle 3/ 4" or 1" I.D. hose.

- Economical manual rewind reels for long lengths of hose.
- Choose disc rewind or removable direct crank rewind.
- Supplied with spring-actuated pin lock.
- Standard inlet 90° ball bearing swivel joint 1" female NPT threads.
- Standard outlet 1" female NPT thread.
- Optional bronze or aluminum swivel joint and stainless steel hub assembly and riser, are available
- Optional Rollers may be purchased.
- Pressures to 2000 psi (138 bar).
- Temperatures from -60° F to +250° F (-51° C to +121° C).
- Consult factory for other pressures & temps.



Standard with Crank Handle



Optional Aluminum Hand Cart
4300-AL Mounting Available, see page 2

For:

- Fuel Dispensing (Consult Factory)
- Spray Operations
- Fire Protection

Parts Drawing – ISO 113

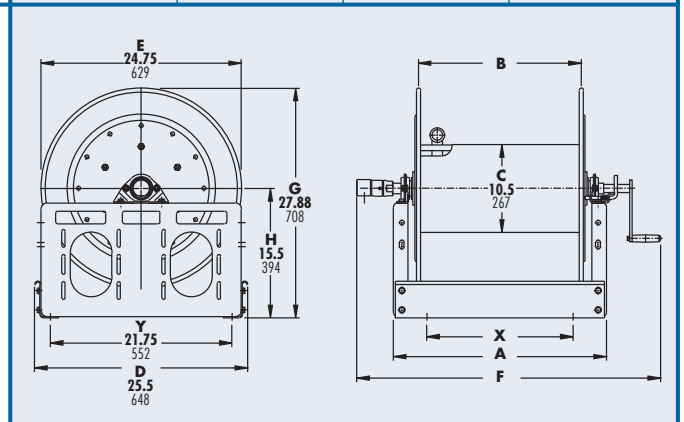
Model Number	Hose Capacity of Reel			Approx. Weight		Reel Dimensions***				
	feet			Crank Rewind		inches				
	m.			lb.		mm.				
	Round Hose		Collapsible Hose	NET	SHIP	A	B	F	X	
I.D. (in)	3/ 4"	1"	1"							
	I.D. (mm)	19	25	25						
	O.D. (in)	1-9/ 32"	1-9/ 16"	1/ 2"x1-3/ 4"						
	O.D. (mm)	33	40	13 x 44						
3016-25-26		100	50	200	85	120	13	7.5	23.75	7.75
		30	15	61	39	54	330	191	603	197
3020-25-26		150	100	300	94	129	17	11.5	27.75	9
		46	30	91	43	59	432	292	705	229
3024-25-26		250	150	400	103	138	21	15.5	31.75	13
		76	46	122	47	63	533	394	806	330
3028-25-26		300	200	550	113	155	25.5	20	36.25	17.5
		91	61	168	51	70	648	508	921	445

Notes:

1. Specifications subject to change.
2. Upon request, reels can be supplied with drum lengths other than shown and with disc sizes in other diameters.
3. Power rewind NOT available on these models.
4. Dimension "F" is the overall length of standard model reels. Crank rewind models, 3-1/ 2" clearance required to remove crank.
5. Subtract 5" from 'F' dimension for disc rewind models.
6. Finish: Call factory for offshore/ marine finish, available at extra cost. Refer to Page 4.
7. Be sure to check dimensions and weights prior to ordering.

NOTICE: A Flexible Connector must be used between the inlet pipe and the inlet swivel joint

*** x,y indicate mounting holes. See page 2



3500

MANUAL REWIND REELS

To handle 1" through 1-3/4" I.D. hose.

- Economical manual rewind reels for long lengths of hose.
- Choose disc rewind or removable direct crank rewind.
- Supplied with spring-actuated pin lock.
- Standard inlet 90° swivel joint 1-1/2" female NPT threads and 2" victaulic groove.
- Standard outlet flanged riser with 1-1/2" female NPT threads.
- Optional bronze or aluminum swivel joint and stainless steel hub assembly and riser, are available
- Optional Rollers may be purchased.
- Pressures to 600 psi (41 bar)
- Temperatures from -60° F to +175° F (-51° C to +79° C).
- Consult factory for other pressures & temps.

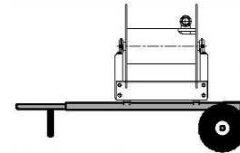


Standard with Crank Handle

For:

- Fuel Dispensing
(Consult Factory)
- Bulk Transfer
- Fire Protection

Optional Aluminum Hand Cart
4300-AL Mounting
Available, see page 2



Parts Drawing – ISO 111

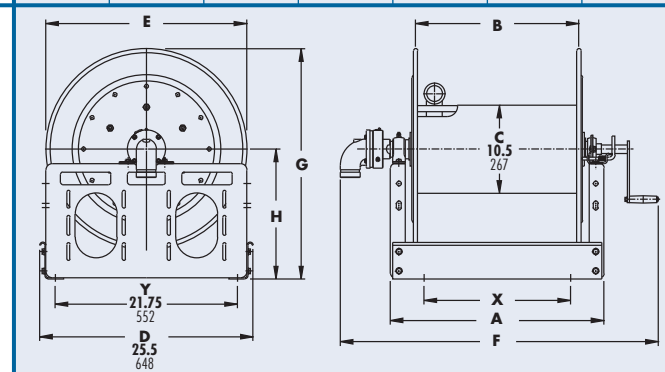
Model Number	Hose Capacity of Reel					Approx. Weight		Reel Dimensions***						
	feet					lb.		inches						
	m.					kg.		mm.						
	Round Hose		Collapsible Hose			NET	SHIP	A	B	E	F	G	H	X
I.D. (in)	1"	1-1/2"	1-1/2"	1-3/4"	I.D. (mm)									
O.D. (in)	1-9/16"	2-1/16"	3/4"x3"	7/8"x3-1/4"	O.D. (mm)	40	52	19 x 76	22 x 83					
3516-25-26	50	-	50	50	95	130	13	7.5	24.75	26	27.88	15.5	7.75	
	15	-	15	15	43	59	330	191	629	660	708	394	197	
3520-25-26	100	50	100	75	104	139	17	11.5	24.75	30	27.88	15.5	9	
	30	15	30	23	47	63	432	292	629	762	708	394	229	
3524-25-26	150	75	150	100	113	157	21	15.5	24.75	34	27.88	15.5	13	
	46	23	46	30	51	71	533	394	629	864	708	394	330	
3528-25-26	200	100	200	150	123	173	25.5	20	24.75	38.5	27.88	15.5	17.5	
	61	30	61	46	56	78	648	508	629	978	708	394	445	
3524-30-31	200	100	250	150	124	174	21	15.5	28.75	34	29.88	15.5	13	
	61	30	76	46	56	79	533	394	730	864	759	394	330	
3528-30-31	250	150	300	250	134	184	25.5	20	28.75	38.5	29.88	15.5	17.5	
	76	46	91	76	61	83	648	508	730	978	759	394	445	
3534-30-31	350	200	450	350	147	197	31.5	26	28.75	44.5	29.88	15.5	23.5	
	107	61	137	107	67	89	800	660	730	1130	759	394	597	
3530-33-34	400	250	450	350	138	188	27.5	22	31.75	40.5	32.38	16.5	19.5	
	122	76	137	107	63	85	699	559	806	1029	822	419	495	

Notes:

1. Specifications subject to change.
2. Upon request, reels can be supplied with drum lengths other than shown and with disc sizes in other diameters.
3. Power rewind NOT available on these models.
4. Dimension "F" is the overall length of standard model reels.
Crank rewind models, 3-1/2" clearance required to remove crank.
5. Subtract 5" from 'F' dimension for disc rewind models.
6. Finish: Call factory for offshore/ marine finish, available at extra cost. Refer to Page 4.
7. Be sure to check dimensions and weights prior to ordering.

NOTICE: A Flexible Connector must be used between the inlet pipe and the inlet swivel joint

*** x,y indicate mounting holes. See page 2



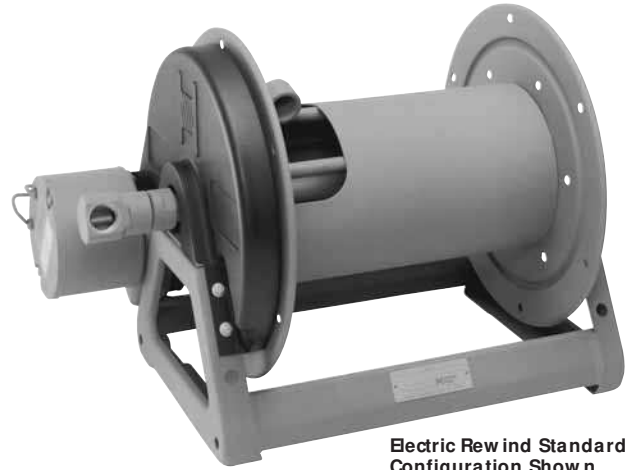
4000

MANUAL OR POWER REWIND REELS

To handle single 3/4" or 1" I.D. hose.

- Lightweight compact reels designed for long lengths of hose in manual and power rewind.
- Direct crank rewind is removable.
- Chain and sprocket drive powered by electric, hydraulic, or compressed air motor.
- Manual reels include: cam-lock drag brake, spring actuated pin lock.
- Comet brake is standard on power rewind reels.
- Standard inlet 90° ball bearing swivel joint 1" female NPT threads.
- Standard outlet 1" female NPT threads.
- Optional Rollers: Specify roller position when ordering.
- Pressures to 2000 psi (138 bar).
- Temperatures from -60° F to +250° F (-51° C to +121° C).
- Consult factory for other pressures & temps.

Parts Drawing – ISO 68



Electric Rewind Standard Configuration Shown

For:

- Fuel Dispensing (Consult Factory)
- Fire Protection
- Water Supply
- Chemical Transfer



Optional External Mounting Brackets part no. 9906.0027. Add 2-1/2" to the X dimensions shown in the chart.

Model Number	Hose Capacity of Reel			Approx. Weight			Reel Dimensions***						
	I.D. (in)	3/4"	1"	Crank Rewind 3			inches						
For Power Rewind See Note 5	I.D. (mm)	19	25	NET	UPS/FedEx	Freight	A	B	E CRANK	E POWER	F CRANK	F POWER	X
	O.D. (in)	1-9/32"	1-9/16"		SHIP Wt.	SHIP Wt.							
4018-17-18	50	35	36	80*	71	15	10	16.5	19	27	20.5	13.5	
	15	11	16	36	32	381	254	419	483	686	521	343	
4024-17-18	100	50	46	98*	81	21	16	16.5	19	33	26.5	19.5	
	30	15	21	45	37	533	406	419	483	838	673	495	
4030-17-18	150	75	57	110*	92	27	22	16.5	19	39	32.5	25.5	
	46	23	26	50	42	686	559	419	483	991	826	648	
4038-17-18	200	100	70	-	124	35	30	16.5	19	47	40.5	33.5	
	61	30	32	-	56	889	762	419	483	1194	1029	851	

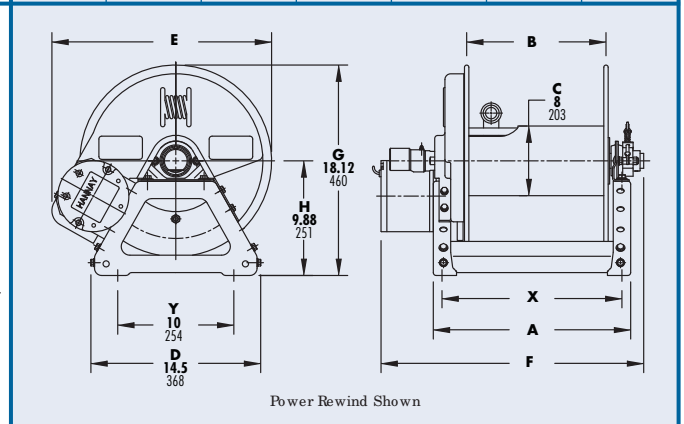
Notes:

1. Specifications subject to change.
2. Upon request, reels can be supplied with drum lengths other than shown.
3. Weights shown in chart are for crank rewind models. ADD these amounts for power rewind models, does not apply to FedEx or UPS.

	Net (lbs.)/ kg	Ship (lbs.)/ kg
Electric	18/ 8.2	18/ 8.2
Hydraulic	15/ 6.8	15/ 6.8
Air	15/ 6.8	15/ 6.8
4. Dimension "F" is the overall length of standard model reels. Crank rewind reels require 3-1/2" clearance to remove or install crank handle.
5. When ordering power rewind models, prefix model number with: A = Air Rewind E = Electric Rewind HD = Hydraulic Rewind (Air rewind reels are supplied with control valve and 18" air hose; 12v and 24v DC rewind reels are supplied with switch and solenoid; 115v AC rewind reels are not supplied with switch but can be ordered separately; hydraulic rewind reels are not supplied with control valve.)
6. Finish: refer to Page 4.
7. Be sure to check dimensions and weights prior to ordering.
8. Some roller options may prohibit the use of our molded chain guard.

NOTICE: A Flexible Connector must be used between the inlet pipe and the inlet swivel joint.

*** x,y indicate mounting holes. See page 2, also for external mounting brackets.





Electric Rewind Shown
with Gear Driven
Crank Rewind

4100

MANUAL OR POWER REWIND REELS

To handle single 3/4" or 1" I.D. hose.

- Lightweight compact reels designed for long lengths of hose in manual and power rewind.
- Gear driven crank rewind handle is removable.
- Chain and sprocket drive powered by electric, hydraulic, or compressed air motor.
- Gear driven crank rewind, adjustable pinion brake.
- Standard inlet 90° ball bearing swivel joint 1" female NPT threads.
- Standard outlet 1" female NPT threads.
- Optional Rollers: Specify roller position when ordering.
- Pressures to 2000 psi (138 bar).
- Temperatures from -60° F to +250° F (-51° C to +121° C).
- Consult factory for other pressures & temps.

For:

- Fuel Dispensing (Consult Factory)
- Fire Protection
- Water Supply
- Chemical Transfer

Parts Drawing – ISO 206

Model Number	Hose Capacity of Reel			Approx. Weight		Reel Dimensions***					
	I.D. (in)	3/4"	1"	NET	SHIP	A	B	E CRANK	E POWER	F	X
For Power Rewind See Note 5	I.D. (mm)	19	25								
	O.D. (in)	1-9/32"	1-9/16"								
	O.D. (mm)	33	40								
4118-17-18	50	35	62	97	15	10	18	20.5	21.5	7.5	
	15	11	28	44	381	254	457	521	546	190	
4124-17-18	100	50	72	107	21	16	18	20.5	27.5	13.5	
	30	15	33	49	533	406	457	521	699	343	
4130-17-18	150	75	83	118	27	22	18	20.5	33.5	19.5	
	46	23	38	54	686	559	457	521	851	495	
4138-17-18	200	100	96	131	35	30	18	20.5	41.5	27.5	
	61	30	44	59	889	762	457	521	1054	698	

Notes:

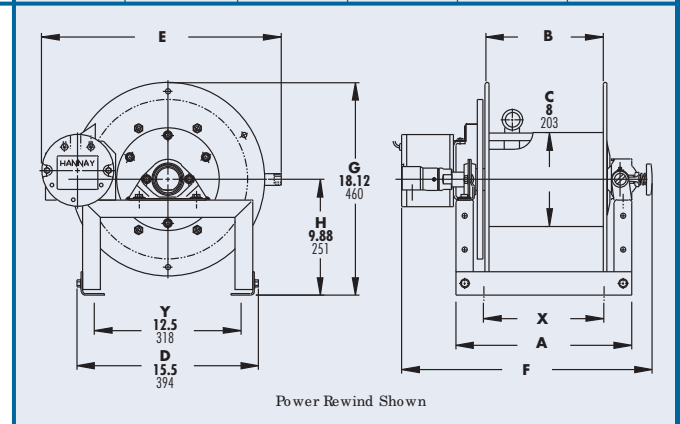
1. Specifications subject to change.
2. Upon request, reels can be supplied with drum lengths other than shown.
3. Weights shown in chart are for crank rewind models. ADD these amounts for power rewind models:

	Net (lbs.)/ kg	Ship (lbs.)/ kg
Electric	18 / 8.2	18 / 8.2
Hydraulic	15 / 6.8	15 / 6.8
Air	15 / 6.8	15 / 6.8

4. Dimension "F" is the overall length of standard model reels.
5. When ordering power rewind models, prefix model number with:
A = Air Rewind E = Electric Rewind HD = Hydraulic Rewind
(Air rewind reels are supplied with control valve and 18" air hose; 12v and 24v DC rewind reels are supplied with switch and solenoid; 115v AC rewind reels are not supplied with switch but can be ordered separately; hydraulic rewind reels are not supplied with control valve.)
6. **Finish:** refer to Page 4.
7. **Be sure to check dimensions and weights prior to ordering.**

NOTICE: A Flexible Connector must be used between the inlet pipe and the inlet swivel joint.

*** x,y indicate mounting holes. See page 2



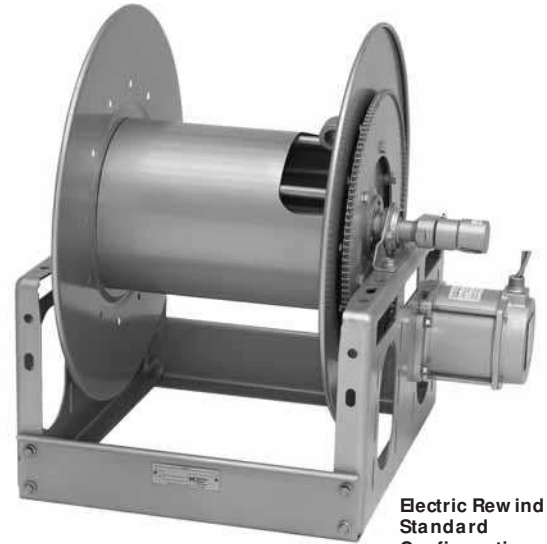
Power Rewind Shown

6000

MANUAL OR POWER REWIND REELS

To handle single 1/2" through 1" I.D. hose.

- Heavy-duty reel for longer lengths of hose.
- Choose Gear-driven crank rewind or chain and sprocket drive powered by an electric, hydraulic or compressed air motor.
- Crank rewind reels supplied with pinion brake, power rewind reels with a comet brake.
- Standard inlet a 90° ball bearing swivel joint 1" female NPT threads.
- Standard outlet 1" female NPT threads.
- Standard inlet, outlet riser and hub assembly are steel. Optional bronze or aluminum swivel joint and stainless steel hub assembly and riser, are available.
- Optional Rollers may be purchased.
- Pressures to 2000 psi (138 bar).
- Temperatures from -60° F to +250° F (-51° C to +121° C).
- Consult factory for other pressures & temps.
- Chainguard available upon request, must be specified.

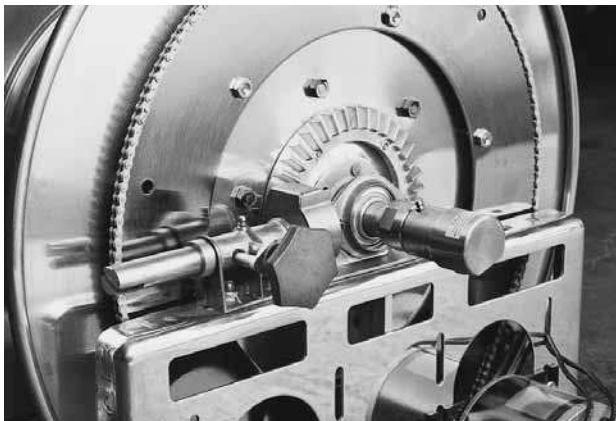


Electric Rewind Standard Configuration Shown

For:

- Fuel Dispensing (Consult Factory)
- Fire Protection
- Spray Operations
- Water Blasting*
- Sewer Cleaning*

*Heavy-duty construction required. Consult factory.



Optional Auxiliary Rewind

Ring and pinion shaft rewind unit with removable crank handle



Shown with optional Assembly C Roller Top Wind

6000

Parts Drawing – ISO 84

Model Number	Hose Capacity of Reel				Approx. Weight		Reel Dimensions***									
	feet				lb.		inches									
	m.				kg.		mm.									
For Power Rewind See Note 4	I.D. (in)	1/ 2"	3/ 4"	1"	NET	SHIP	A	B	D	E	F CRANK	F POWER	G	H	X	Y
	I.D. (mm)	13	19	25												
6024-19-21		235	125	60	85	127	21	15.5	20.5	18.75	25.38	28.5	21.5	12.12	13	16.75
		72	38	18	39	58	533	394	521	476	645	724	546	308	330	425
6032-19-21		350	200	100	102	144	29.5	24	20.5	18.75	33.88	37	21.5	12.12	21.5	16.75
		107	61	30	46	65	749	610	521	476	861	940	546	308	546	425
6024-23-24		450	185	100	92	134	21	15.5	20.5	22.75	25.38	28.5	23.5	12.12	13	16.75
		137	56	30	42	61	533	394	521	578	645	724	597	308	330	425
6030-23-24		-	250	150	105	147	27.5	22	20.5	22.75	31.88	35	23.5	12.12	19.5	16.75
		-	76	46	48	67	699	559	521	578	810	889	597	308	495	425
6038-23-24		-	350	200	120	162	35	29.5	20.5	22.75	39.38	42.5	23.5	12.12	27	16.75
		-	107	61	54	73	889	749	521	578	1000	1080	597	308	686	425
6016-25-26		285	100	60	88	130	13	7.5	25.5	24.75	17.38	20.5	27.88	15.5	7.75	21.75
		87	30	18	40	59	330	191	648	629	441	521	708	394	197	552
6022-25-26		500	200	100	100	142	19	13.5	25.5	24.75	23.38	26.5	27.88	15.5	11	21.75
		152	61	30	45	64	483	343	648	629	594	673	708	394	279	552
6028-25-26		-	300	200	113	155	25.5	20	25.5	24.75	29.88	33	27.88	15.5	17.5	21.75
		-	91	61	51	70	648	508	648	629	759	838	708	394	445	552
6018-30-31		450	235	135	101	151	15	9.5	25.5	28.75	19.38	22.5	29.88	15.5	7	21.75
		137	72	41	46	68	381	241	648	730	492	572	759	394	178	552
6024-30-31		-	400	200	113	163	21	15.5	25.5	28.75	25.38	28.5	29.88	15.5	13	21.75
		-	122	61	51	74	533	394	648	730	645	724	759	394	330	552
6028-30-31		-	500	265	121	171	25.5	20	25.5	28.75	29.88	33	29.88	15.5	17.5	21.75
		-	152	81	55	78	648	508	648	730	759	838	759	394	445	552
† 6030-30-31		-	550	300	125	175	27.5	22	25.5	28.75	31.88	35	29.88	15.5	19.5	21.75
		-	168	91	57	79	699	559	648	730	810	889	759	394	495	552
† 6028-33-34		-	600	350	129	179	25	20	31.5	31.75	29.62	32.75	33.62	17.75	17.5	27.75
		-	183	107	59	81	635	508	800	806	752	832	854	451	445	705

Notes:

Specifications subject to change.

1. Upon request, reels can be supplied with drum lengths other than shown and with disc sizes in other diameters.
2. Dimensions shown for reels up to and including 30-31 disc size reflect pressed frames. All others are rollformed channel frames.
3. Weights shown in chart are for crank rewind models. ADD these amounts for power rewind models:

	Net (lbs.)/ kg	Ship (lbs.)/ kg
Electric 1/ 2 HP	40/ 18.1	40/ 18.1
Hydraulic	20/ 9.1	20/ 9.1
Air	20/ 9.1	20/ 9.1

4. When ordering power rewind models, prefix model number with:
A = Air Rewind EP = Electric Rewind (1/ 2 hp) HD = Hydraulic Rewind
(Air rewind reels are supplied with control valve and 18" air hose; 12v and 24v DC rewind reels are supplied with switch and solenoid; 115v AC rewind reels are not supplied with switch but can be ordered separately; hydraulic rewind reels are not supplied with control valve.)

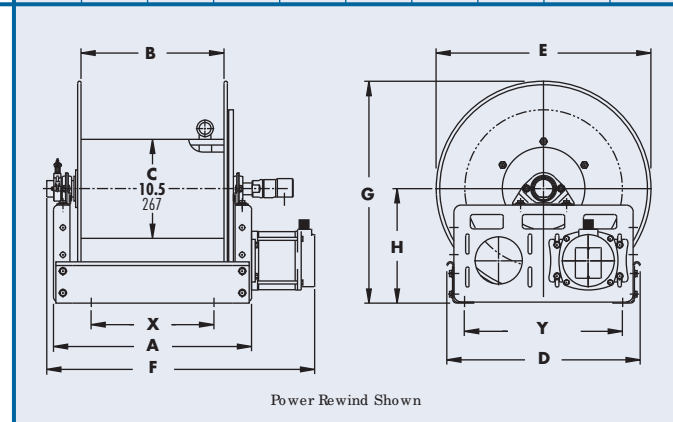
5. **Finish:** refer to Page 4.

6. **Be sure to check dimensions and weights prior to ordering.**

NOTICE: A Flexible Connector must be used between the inlet pipe and the inlet swivel joint.

*** x,y indicate mounting holes. See page 2

† Some applications require a clutch/ reduction unit

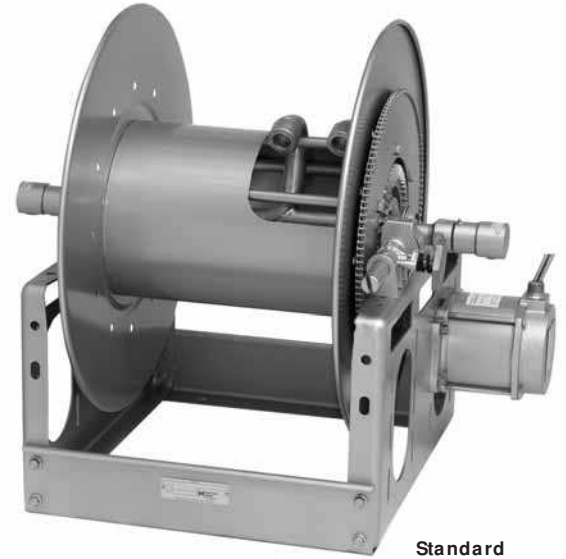


7000

DUAL HOSE REELS MANUAL OR POWER REWIND

To handle dual 3/4" or 1" I.D. hose.

- Two swivel joint inlets and two outlet risers to handle two equal lengths of hose.
- Choose gear-driven crank rewind or chain & sprocket drive powered by an electric, hydraulic or compressed air motor. An auxiliary rewind is standard.
- Crank rewind and power rewind reels, pinion brake standard.
- Standard inlets 90° ball bearing swivel joints 1" female NPT threads.
- Standard outlets 1" female NPT threads.
- Standard inlet, outlet riser and hub assembly are steel. Optional bronze or aluminum swivel joint and stainless steel hub assembly and riser, are available.
- Pressures to 2000 psi (138 bar).
- Temperatures from -60° F to +250° F (-51° C to +121° C).
- Consult factory for other pressures & temps, optional chainguard.



Standard Configuration Show n

For:

- Hydraulics
- Dual Agents

Parts Drawing – ISO 72

Model Number	Hose Capacity of Reel			Approx. Weight		Reel Dimensions***									
	I.D. (in)	3/4"	1"	NET	SHIP	A	B	D	E	F	F	G	H	X	Y
For Power Rewind See Note 5	I.D. (mm)	19	25							CRANK	POWER				
	O.D. (in)	1-9/32"	1-9/16"												
	O.D. (mm)	33	40												
7024-19-21	2/60 2/18	2/25 2/8	100 45	142 64	21 533	15.5 394	20.5 521	21.88 556	29.75 756	32.12 816	21.5 546	12.12 308	13 330	16.75 425	
7026-23-24	2/90 2/27	2/50 2/15	105 48	147 67	23 584	17.5 445	20.5 521	23 584	31.75 806	34.12 867	23.5 597	12.12 308	15 381	16.75 425	
7016-25-26	2/40 2/12	2/30 2/9	95 43	145 66	13 330	7.5 191	25.5 648	24.75 629	21.75 552	24.12 613	27.88 708	15.5 394	7.75 197	21.75 552	
7032-25-26	2/175 2/53	2/100 2/31	129 59	179 81	29.5 749	24 610	25.5 648	24.75 629	38.25 972	40.62 1032	27.88 708	15.5 394	21.5 546	21.75 552	
† 7032-30-31	2/300 2/91	2/150 2/46	137 62	187 85	29.5 749	24 610	25.5 648	28.75 730	38.25 972	40.62 1032	29.88 759	15.5 394	21.5 546	21.75 552	
† 7024-33-34	2/225 2/69	2/115 2/35	120 54	170 77	20.5 521	15.5 394	31.5 800	31.75 806	29.75 756	32.12 816	33.62 854	17.75 451	13 330	27.75 705	
† 7032-33-34	2/350 2/107	2/200 2/61	137 62	187 85	29 737	24 610	31.5 800	31.75 806	38.25 972	40.62 1032	33.62 854	17.75 451	21.5 546	27.75 705	

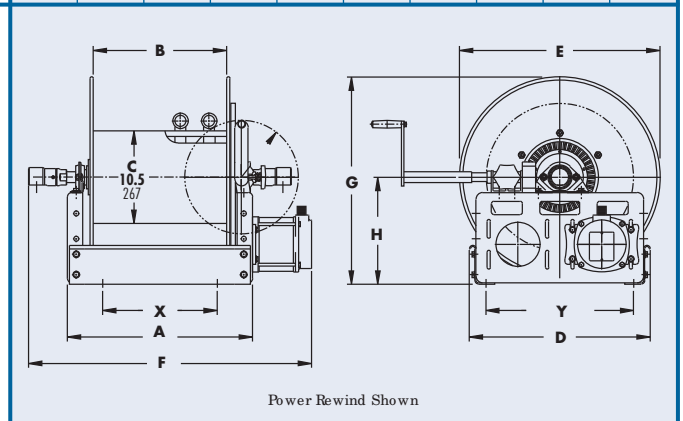
Notes:

1. Specifications subject to change.
2. Upon request, reels can be supplied with drum lengths other than shown and with disc sizes in other diameters.
3. Dimensions shown up to and including 30-31 disc size reflect pressed frames. All others are rollformed channel frames.
4. Weights shown in chart are for crank rewind models. ADD these amounts for power rewind models:

	Net (lbs.)/ kg	Ship (lbs.)/ kg
Electric	40/ 18.1	40/ 18.1
Hydraulic	20/ 9.1	20/ 9.1
Air	20/ 9.1	20/ 9.1

5. When ordering, prefix model number with:
 A = Air Rewind EP = Electric Rewind
 MX = Chain Drive Crank HD = Hydraulic Rewind
 (Air rewind reels are supplied with control valve and 18" air hose; 12v and 24v DC rewind reels are supplied with switch and solenoid; 115v AC rewind reels are not supplied with switch but can be ordered separately; hydraulic rewind reels are not supplied with control valve.)

6. **Finish:** refer to Page 4.
7. **Be sure to check dimensions and weights prior to ordering.**



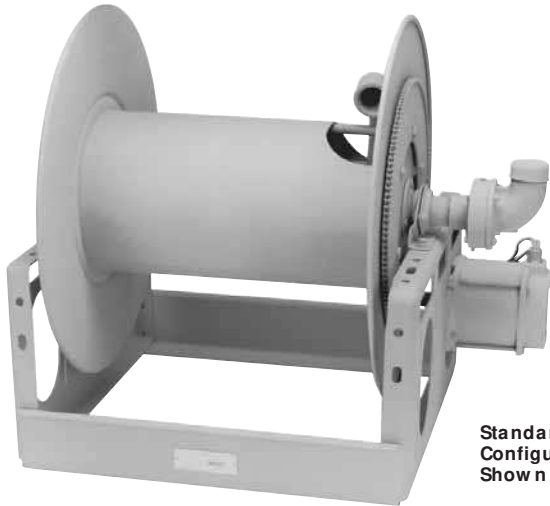
NOTICE: A Flexible Connector must be used between the inlet pipe and the inlet swivel joint.

*** x,y indicate mounting holes. See page 2
 † Some applications require a clutch/ reduction unit

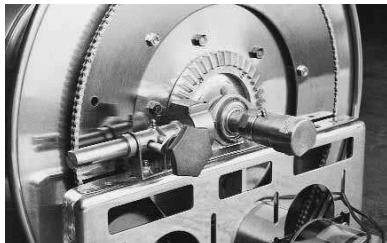
7500

MANUAL OR POWER REWIND REELS

To handle single 1" through 1-1/2" I.D. hose.



Standard Configuration Shown



- For:
- Fuel Dispensing (Consult Factory)
 - Bulk Transfer
 - Suction/ Discharge (Consult Factory)

Optional Auxiliary Rewind (Ring and pinion shaft rewind unit with removable crank handle)

- Heavy-duty reel designed for longer lengths.
- Choose gear-driven crank rewind or chain and sprocket drive powered by an electric, hydraulic or compressed air motor.
- Crank rewind reels supplied with pinion brake and power rewind reels with a comet brake.
- Standard inlet 90° ball bearing swivel joint 1-1/2" female NPT threads and 2" victaulic groove.
- Standard outlet flanged riser 1-1/2" female NPT threads.
- Standard inlet, outlet riser and hub assembly are steel. Optional bronze or aluminum swivel joint and stainless steel hub assembly and riser, are available.
- Rollers may be purchased as accessory items.
- Operate at pressures to 600 psi (41 bar).
- Temperatures from -60° F to +175° F (-51° C to +79° C).
- Consult factory for other pressures & temps, optional chainguard.

Parts Drawing – ISO 18

Model Number	Hose Capacity of Reel				Approx. Weight		Reel Dimensions***									
	I.D. (in)	1"	1-1/4"	1-1/2"	NET	SHIP	inches									
For Power Rewind See Note 5	I.D. (mm)	25	32	38			A	B	D	E	F	F	G	H	X	Y
	O.D. (in)	1-9/16"	1-13/16"	2-1/16"							CRANK	POWER				
	O.D. (mm)	40	46	52												
7528-19-21	85	70	50	104	146	25.5	20	20.5	18.75	32	33	21.5	12.12	17.5	16.75	
	26	21	15	47	66	648	508	521	476	813	838	546	308	445	425	
7538-23-24	200	190	100	130	172	35	29.5	20.5	22.75	41.5	42.5	23.5	12.12	27	16.75	
	61	58	30	59	78	889	749	521	578	1054	1080	597	308	686	425	
7520-25-26	115	75	50	106	148	17	11.5	25.5	24.75	23.5	24.5	27.88	15.5	9	21.75	
	35	23	15	48	67	432	292	648	629	597	622	708	394	229	552	
7528-25-26	200	135	100	123	165	25.5	20	25.5	24.75	32	33	27.88	15.5	17.5	21.75	
	61	41	30	56	75	648	508	648	629	813	838	708	394	445	552	
7522-30-31	190	160	100	118	168	19	13.5	25.5	28.75	25.5	26.5	29.88	15.5	11	21.75	
	58	49	30	54	76	483	343	648	730	648	673	759	394	279	552	
† 7528-30-31	285	260	160	131	181	25.5	20	25.5	28.75	32	33	29.88	15.5	17.5	21.75	
	87	79	49	59	82	648	508	648	730	813	838	759	394	445	552	
† 7526-33-34	335	200	200	133	183	22.5	17.5	31.5	31.75	29.25	30.25	33.62	17.75	15	27.75	
	102	61	61	60	83	572	445	800	806	743	768	854	451	381	705	

Notes:

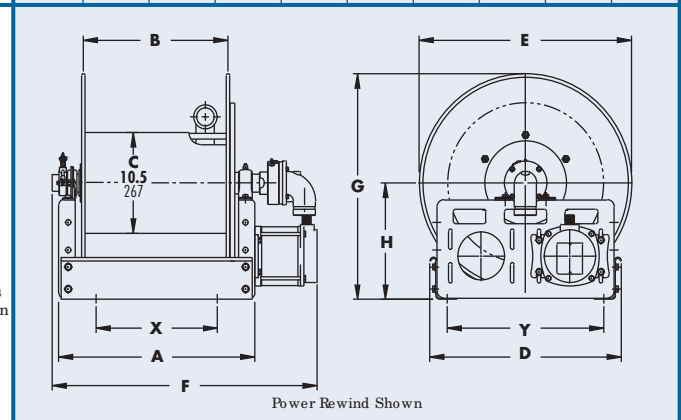
- Specifications subject to change.
- Upon request, reels can be supplied with drum lengths other than shown and with disc sizes in other diameters.
- Dimensions shown for reels up to and including 30-31 disc size reflect pressed frames. All others are rollformed channel frames.
- Weights shown in chart are for crank rewind models. ADD these amounts for power rewind models:

	Net (lbs.)/ kg	Ship (lbs.)/ kg
Electric	40/ 18.1	40/ 18.1
Hydraulic	20/ 9.1	20/ 9.1
Air	20/ 9.1	20/ 9.1
- When ordering power rewind models, prefix model number with:
 - A = Air Rewind
 - EP = Electric Rewind (1/2 hp)
 - HD = Hydraulic Rewind
 (Air rewind reels are supplied with control valve and 18" air hose; 12v and 24v DC rewind reels are supplied with switch and solenoid; 115v AC rewind reels are not supplied with switch but can be ordered separately; hydraulic rewind reels are not supplied with control valve.)
- Finish: refer to Page 4.
- Be sure to check dimensions and weights prior to ordering.

NOTICE: A Flexible Connector must be used between the inlet pipe and the inlet swivel joint

*** x, y indicate mounting holes. See page 2

† Some applications require a clutch/ reduction unit.



Power Rewind Shown

8000

MANUAL OR POWER REWIND REELS

To handle single 1-1/2" or 2" I.D. hose.

- Heavy-duty reel designed for longer lengths and larger diameters of hose through 2" I.D.
- Choose gear-driven crank rewind or chain and sprocket drive powered by an electric, hydraulic or compressed air motor.
- Crank rewind reels supplied with a pinion brake, power rewind reels with a comet brake.
- Standard inlet 90° ball bearing swivel joint 2" female NPT threads.
- Standard outlet flanged riser 2" female NPT threads
- Standard inlet, outlet riser and hub assembly are steel. Optional bronze or aluminum swivel joint and stainless steel hub assembly and riser, are available.
- Rollers may be purchased as accessory items.
- Pressures to 600 psi (41 bar).
- Temperatures from -60° F to +175° F (-51° C to +79° C).
- Consult factory for other pressures & temps.



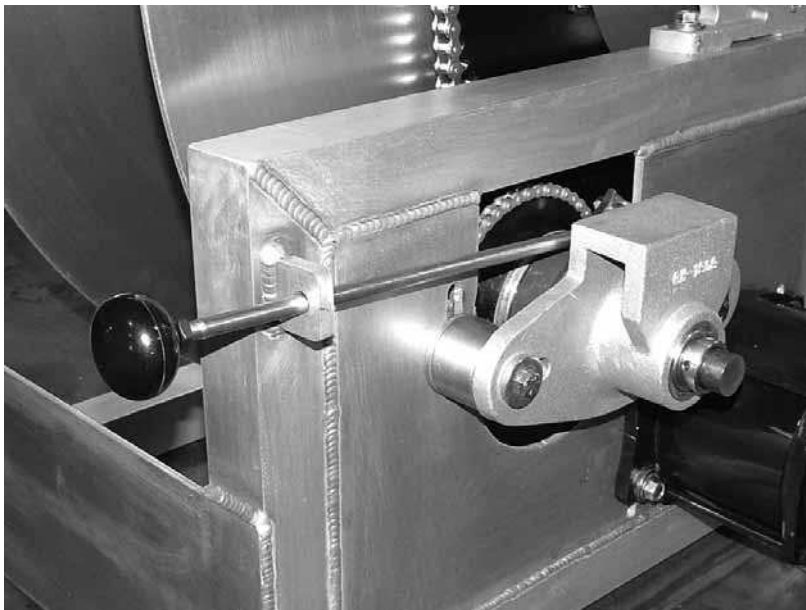
Shown with Optional Auxiliary Rewind

For:

- Bulk Transfer
- Chemical Transfer
- General Dispensing
- Suction/ Discharge (consult factory)

• **Fueling Applications**

Refer to:
 Aviation Catalog
 H-0418-AVIA
 Petroleum Catalog
 H-0417-FD



Chain Clutch-Reduction Units

For use on reels with 39" diameter or larger discs and/ or when increased torque and slower rewind speeds are required. Factory-installed when specified or available as an accessory item.

8000

Parts Drawing – ISO 35

Model Number	Hose Capacity of Reel <u>feet</u> m.			Approx. Weight Crank Rewind ³ <u>lb.</u> kg.		Reel Dimensions*** <u>inches</u> mm.									
	I.D. (in) I.D. (mm)	1-1/2" 38	2" 51	NET	SHIP	A	B	D	E	F CRANK	F POWER	G	H	X	Y
	O.D. (in) O.D. (mm)	2-1/16" 52	2-9/16" 65												
8234-26-27	80 24	60 18	120 54	170 77	26.25 667	20 508	27 686	25.75 654	33.75 857	34.75 883	26.62 676	13.75 349	18.75 476	23.25 591	
8238-26-27	100 30	75 23	145 66	195 88	30.25 768	24 610	27 686	25.75 654	37.75 959	38.75 984	26.62 676	13.75 349	22.75 578	23.25 591	
8246-26-27	145 44	100 30	196 89	245 112	38.25 972	32 813	27 686	25.75 654	45.75 1162	46.75 1188	26.62 676	13.75 349	30.75 781	23.25 591	
8226-33-34	85 26	60 18	80 36	150 68	17.75 451	11.5 292	31.5 800	31.75 806	25.25 641	26.25 667	33.38 848	17.75 445	10.25 260	27.75 705	
8234-33-34	150 46	115 35	133 60	230 105	26.25 667	20 508	31.5 800	31.75 806	33.75 857	34.75 883	33.38 848	17.75 445	18.75 476	27.75 705	
8238-39-40	340 104	225 69	218 99	420 191	30.25 768	24 610	40 1016	39 991	37.75 959	38.75 984	39.88 1013	20.38 518	22.75 578	37 940	

Notes:

- Specifications subject to change.
- Upon request, reels can be supplied with drum lengths other than shown and with disc sizes in other diameters.
- Weights shown in chart are for crank rewind models. ADD these amounts for power rewind models:

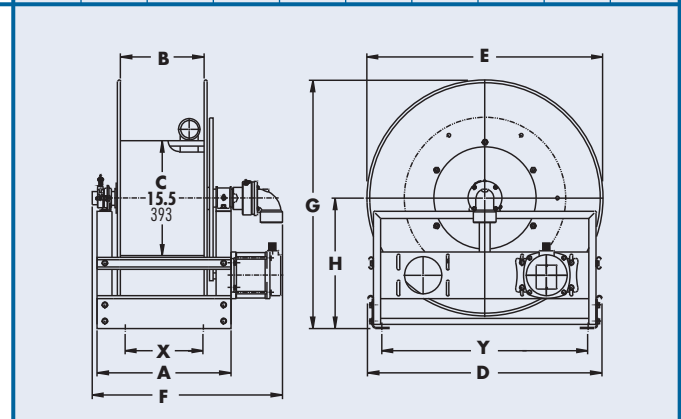
	Net (lbs.)/ kg	Ship (lbs.)/ kg
Electric	40/ 18.1	40/ 18.1
Hydraulic	20/ 9.1	20/ 9.1
Air	20/ 9.1	20/ 9.1

- When ordering power rewind models, prefix model number with:
 A = Air Rewind EP = Electric Rewind (1/ 2 HP)
 HD = Hydraulic Rewind
 (Air rewind reels are supplied with control valve and 18" air hose; 12v and 24v DC rewind reels are supplied with switch and solenoid; 115v AC rewind reels are not supplied with switch but can be ordered separately; hydraulic rewind reels are not supplied with control valve.)

- Finish:** refer to Page 4.
- Be sure to check dimensions and weights prior to ordering.**

NOTICE: A Flexible Connector must be used between the inlet pipe and the inlet swivel joint.

*** x,y indicate mounting holes. See page 2



9000

MANUAL OR POWER REWIND REELS

To handle 2" through 3" I.D. hose.

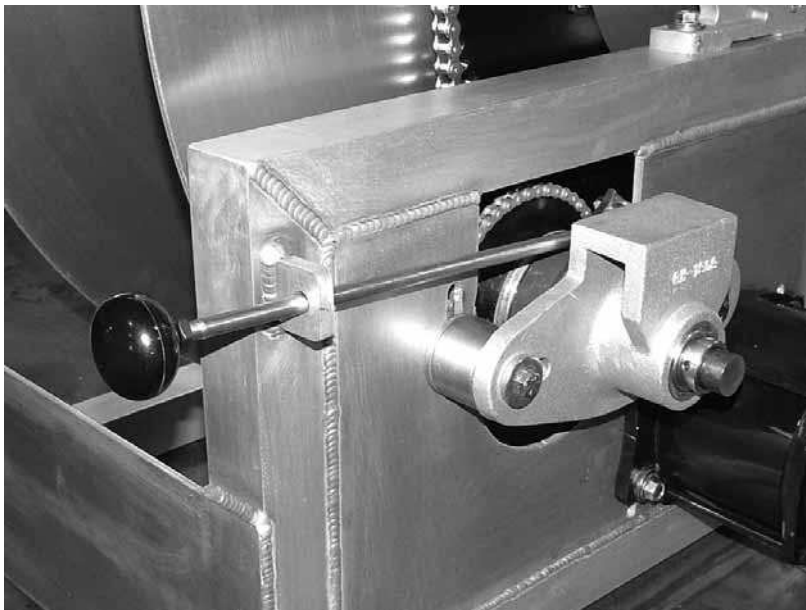
- Heavy-duty reel designed for longer lengths and larger diameters of hose through 3" I.D.
- Choose gear-driven crank rewind or chain and sprocket drive powered by an electric, hydraulic or compressed air motor.
- Crank rewind reels supplied with a pinion brake power rewind reels with a comet brake.
- Standard inlet 90° ball bearing swivel joint 3" female NPT threads.
- Standard outlet flanged riser 3" female NPT threads.
- Standard, outlet riser and hub assembly are aluminum with ductile inlet. Optional bronze or aluminum swivel joint and stainless steel hub assembly and riser, are available.
- Rollers may be purchased as accessory items.
- Pressures to 300 psi (21 bar).
- Temperatures from -20° F to +225° F (-29° C to +107° C).
- Consult factory for other pressures & temps.



Shown with Optional Auxiliary Rewind

For:

- Suction/ Discharge (consult factory)
- High Volume Application
- Bulk Transfer
- Chemical Transfer
- Fueling Applications
Refer to:
Aviation Catalog H-0418-AVIA
Petroleum Catalog H-0417-FD



Chain Clutch-Reduction Units

For use on reels with 39" diameter or larger discs and/ or when increased torque and slower rewind speeds are required. Factory-installed when specified or available as an accessory item.

9000

Parts Drawing – ISO 57

Model Number	Hose Capacity of Reel <u>feet</u> m.				Approx. Weight Crank Rewind ³ <u>lb.</u> kg.		Reel Dimensions** <u>inches</u> mm.									
	I.D. (in)	2"	2-1/2"	3"	NET	SHIP	A	B	D	E	F CRANK	F POWER	G	H	X	Y
	I.D. (mm)	51	64	76												
9332-33-34	70	30	25	147	217	23.75	17.5	31.5	31.75	33.75	33.25	33.88	18	16.25	27.75	
	21	9	8	67	98	603	445	800	80	857	845	861	457	413	705	
9338-33-34	100	45	35	187	257	30.25	24	31.5	31.75	40.25	39.75	33.88	18	22.75	27.75	
	30	14	11	85	117	768	610	800	807	1022	1010	861	457	578	705	
9346-33-34	140	60	50	237	372	38.25	32	31.5	31.75	48.25	47.75	33.88	18	30.75	27.75	
	43	18	15	108	169	972	813	800	807	1226	1213	861	457	781	705	
9338-39-40	185	90	80	239	480	30.25	24	40	39	40.25	39.75	40.38	20.88	22.75	37	
	56	27	24	108	218	768	610	1016	991	1022	1010	1026	530	578	940	
9334-45-46	200	130	115	361	525	26.25	20	46	45	36.25	35.75	46.38	23.88	18.75	43	
	61	40	35	164	239	667	508	1168	1143	921	908	1178	607	476	1092	

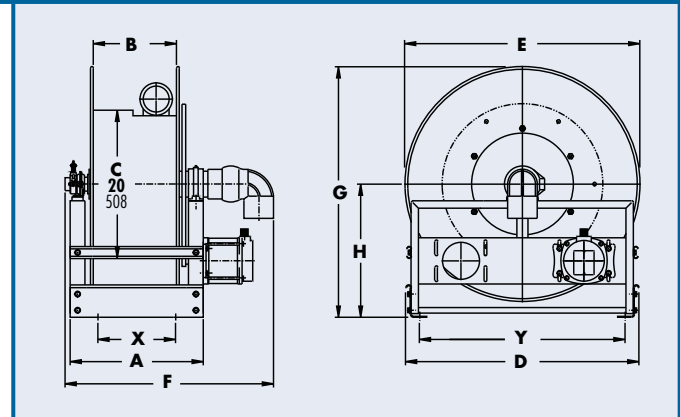
Notes:

- Specifications subject to change.
- Upon request, reels can be supplied with drum lengths other than shown and with disc sizes in other diameters.
- Weights shown in chart are for crank rewind models. ADD these amounts for power rewind models:

	Net (lbs.)/ kg	Ship (lbs.)/ kg
Electric	40/ 18.1	40/ 18.1
Hydraulic	20/ 9.1	20/ 9.1
Air	20/ 9.1	20/ 9.1
- When ordering power rewind models, prefix model number with:
 - A = Air Rewind EP = Electric Rewind (1/ 2 HP)
 - HD = Hydraulic Rewind
 (Air rewind reels are supplied with control valve and 18" air hose; 12v and 24v DC rewind reels are supplied with switch and solenoid; 115v AC rewind reels are not supplied with switch but can be ordered separately; hydraulic rewind reels are not supplied with control valve.)
5. **Finish:** refer to Page 4.
6. **Be sure to check dimensions and weights prior to ordering.**

NOTICE: A Flexible Connector must be used between the inlet pipe and the inlet swivel joint

*** x,y indicate mounting holes. See page 2



1100/AT1200

PORTABLE HOSE REELS ON WHEELS

To handle 3/8" through 1" I.D. hose.

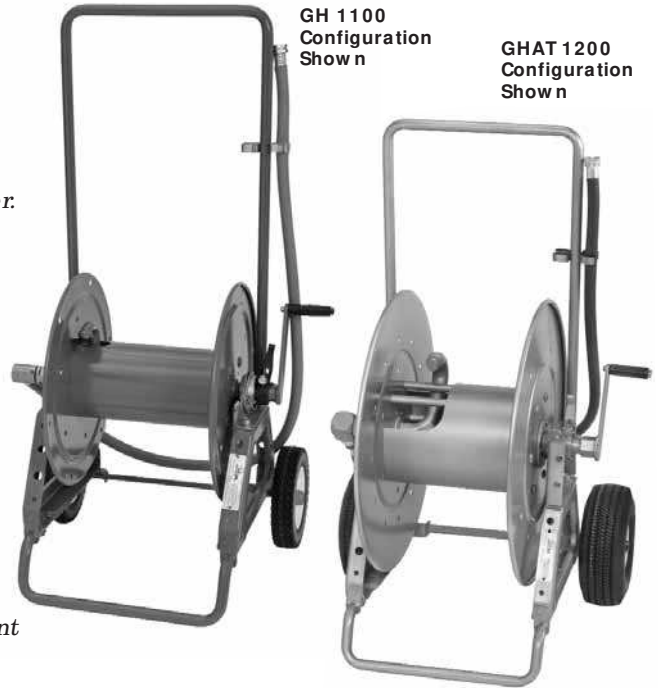
- Continuous flow reels with swivel joint inlet, fluid hub, outlet riser.
- Direct crank rewind and cam-lock brake.
- One-piece foot, and removable steel handlebar.
- Permanently attached crank.
- GH Prefix to model # (e.g. GH1100, GHAT1200) includes garden hose thread on outlet, 5' lead-in hose, hose end clips.

Model 1100 – standard inlet 90° ball bearing swivel joint 1/2" female NPT threads.

- Standard outlet is 1/2" female NPT threads.
- Pressures to 3000 psi (207 bar).
- Temperatures from +20° F to +400° F (-7° C to +204° C).
- Comes with rubber tires.

Model AT1200 – standard inlet 90° balance pressure swivel joint 1" female NPT threads.

- Standard outlet is 1" female NPT threads.
- Operates at pressures to 1000 psi (69 bar).
- Temperatures from -40° F to +250° F (-40° C to +121° C).
- Consult factory for other pressures & temps.
- Comes with pneumatic tires.



- For:
- Grounds Maintenance
 - Restaurants/ Hotels
 - Washdown Operations
 - Home Use

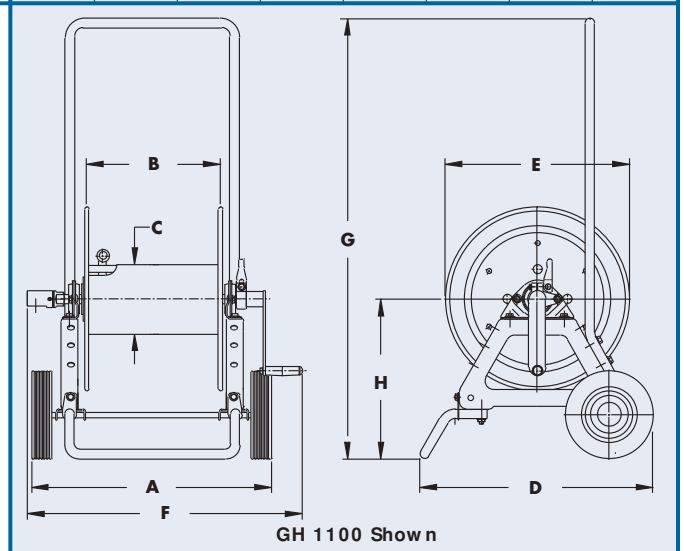
Parts Drawing – 1100-ISO 48; AT1200-ISO 87

Model Number	Hose Capacity of Reel						Approx. Weight		Reel Dimensions							
	feet						NET	SHIP	inches							
	m.								mm.							
I.D. (in)	3/8"	1/2"	5/8"	3/4"	1"			A	B	C	D	E	F	G	H	
I.D. (mm)	10	13	16	19	25			21.5	12	6	22	16.5	24.62	39	13.81	
O.D. (in)	3/4"	7/8"	1"	1-9/32"	1-9/16"			546	305	152	559	419	625	991	351	
O.D. (mm)	19	22	25	-	-			24.88	11.5	8	23	22.75	26.5	40	17.25	
1100	275	175	125	-	-	47	100*	632	292	203	584	578	673	1016	438	
AT1200	-	350	250	150	100	86	147*									
	-	107	76	46	30	39	67									

Notes:

1. Specifications subject to change.
2. **Finish:** refer to Page 4.
3. **Be sure to check dimensions and weights prior to ordering.**

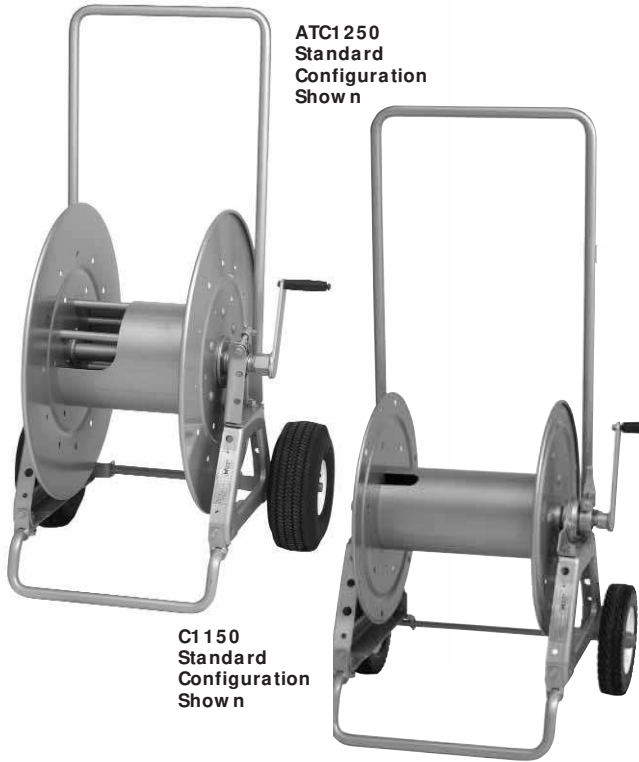
* Dimensional weight applies when shipped as a parcel package (via FedEx or UPS Ground). Some assembly required.



GH 1100 Shown

C1150/ATC1250

PORTABLE STORAGE REELS ON WHEELS



For storage of hose, cable, rope or wire.

- Direct crank rewind.
- One-piece foot, and removable steel handlebar.
- Supplied with a cam-lock drag brake.

C1150 – with rubber tires.

- A 1-1/8" x 2-3/8" (28 mm x 60 mm) opening in the drum to initiate winding.

ATC1250 – with pneumatic tires.

- A larger version of the C1150 with a 4-1/2" x 9" (114 mm x 229 mm) drum opening.

For:

- Industrial Maintenance
- Construction
- Agriculture
- Grounds Maintenance



Optional Folding Handle for Compact Storage

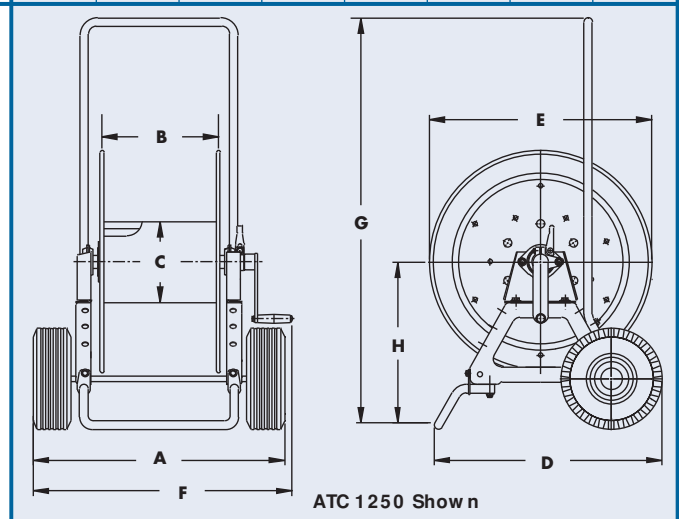
Parts Drawing – C1150-ISO 48; ATC1250-ISO 87

Model Number	Cable Capacity of Reel				Approx. Weight		Reel Dimensions								
	feet m.				lb. kg.		inches mm.								
	Gauge/ Number of Conductors				NET	SHIP	A	B	C	D	E	F	G	H	
	O.D. (in)	.390	.530	.600											.690
	O.D. (mm)	10	14	15	18										
C1150		1100	500	400	300	44	100*	21.5	12	6	22	16.5	24.25	39	13.81
		335	152	122	91	20	46	546	305	152	559	419	616	991	351
ATC1250		1800	950	750	550	84	147*	24.88	11.5	8	23	22.75	26.5	40	17.25
		549	290	229	168	38	67	32	292	203	584	578	673	1016	438

Notes:

1. Specifications subject to change.
2. When ordering specify model number, O.D., length and weight of cable, hose, etc.
3. **Finish:** refer to Page 4.
4. **Be sure to check dimensions and weights prior to ordering.**

* Dimensional weight applies when shipped as a parcel package (via FedEx or UPS Ground). Some assembly required.



C1500

MANUAL OR POWER REWIND STORAGE REELS

To handle single 1/4" through 1" O.D.

- Reels are designed for storage of long lengths of hose, cable, rope, wire or other materials.
- A 1-1/8" x 2-3/8" (28 mm x 60 mm) opening in the drum to initiate winding.
- Direct crank rewind, permanently attached. Removable crank option is available. Also available chain and sprocket rewind powered by electric, compressed air, or hydraulic motor.
- Supplied with cam lock brake on manual rewind models only.
- Optional divider discs can be placed at almost any point. Be sure to specify spacing of discs on your order.
- Rollers may be purchased as accessory items.



Standard Configuration Shown

For Storage Of:

- Hose
- Cable
- Rope
- Wire

Parts Drawing – ISO 218

Model Number	Hose Capacity of Reel feet m.					Approx. Weight Crank Rewind 4 lb. kg.			Reel Dimensions*** inches mm.						
	O.D. (in) O.D. (mm)	1/4" 6	1/2" 13	3/4" 19	1" 25	NET	UPS/ FedEx SHIP Wt.	Freight SHIP Wt.	A	B	E CRANK	E POWER	F CRANK	F POWER	X
C1514-17-18		1300 396	325 99	150 46	75 23	23 10	65* 30	58 26	11 279	6 152	16.5 419	19 483	17.5 445	16.5 491	9.5 241
C1520-17-18		-	650 198	300 91	150 46	25 11	80* 36	60 27	17 432	12 305	16.5 419	19 483	23.5 597	22.5 572	15.5 394
C1526-17-18		-	900 274	450 137	225 69	27 12	98* 45	62 28	23 584	18 457	16.5 419	19 483	29.5 749	28.5 724	21.5 546
C1530-17-18		-	1000 305	550 168	275 84	29 13	110* 50	64 29	27 686	22 559	16.5 419	19 483	33.5 851	32.5 826	25.5 648

Notes:

1. Specifications subject to change.
2. Upon request, reels can be supplied with drum lengths other than shown and with disc sizes in other dimensions.
3. Dimensions reflect pressed frames.
4. Weights shown in chart are for crank rewind models. ADD these amounts for power rewind models, does not apply to FedEx or UPS.

	Net (lbs.)/ kg	Ship (lbs.)/ kg
Electric	18/ 8.2	18/ 8.2
Hydraulic	15/ 6.8	15/ 6.8
Air	15/ 6.8	15/ 6.8

* Dimensional weight applies when shipped as a parcel package (via FedEx or UPS Ground).

5. When ordering power rewind models

Prefix model number with:

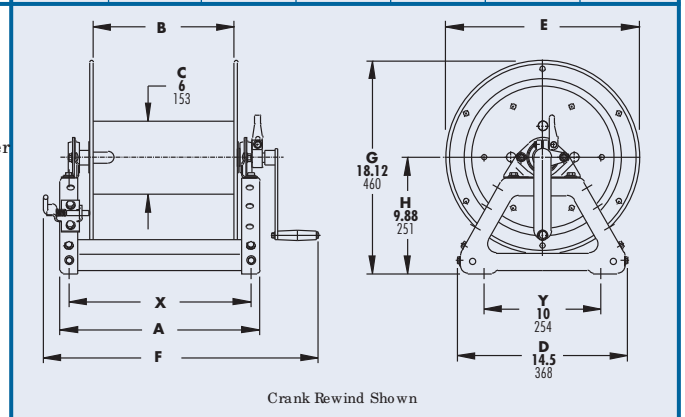
A = Air Rewind E = Electric Rewind HD = Hydraulic Rewind

(Air rewind reels are supplied with control valve and 18" air hose; 12v and 24v DC rewind reels are supplied with switch and solenoid; 115v AC rewind reels are not supplied with switch but can be ordered separately; hydraulic rewind reels are not supplied with control valve.)

6. **Finish:** refer to Page 4.

7. **Be sure to check dimensions and weights prior to ordering.**

*** x,y indicate mounting holes. See page 2



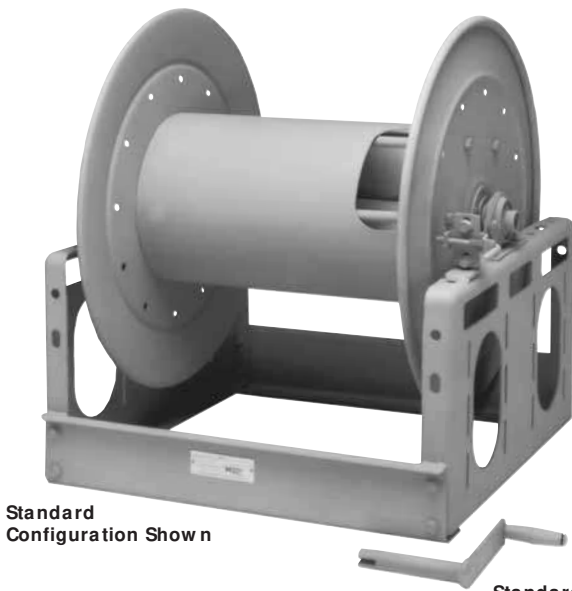
Optional External Mounting Brackets part no. 9906.0027. Add 2-1/2" to the X dimensions shown in the chart.

C3200

MANUAL REWIND STORAGE REELS

To handle single 1/2" through 1-1/2" O.D.

- A 4-1/2" x 9" (114mm x 229mm) opening in the drum to initiate winding.
- Designed for storage of long lengths of hose, cable, rope, wire or other materials.
- Choose disc rewind or removable direct crank rewind.
- Supplied with spring actuated pin lock.
- Optional divider discs can be placed at almost any point. Be sure to specify spacing of discs on your order.
- Rollers may be purchased as accessory items.



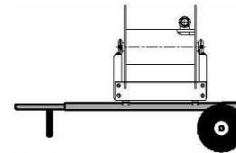
Standard Configuration Shown

For Storage Of:

- Hose
- Cable
- Rope
- Wire

Standard with Crank Handle

Optional Aluminum Hand Cart
4300-AL Mounting
Available, see page 2



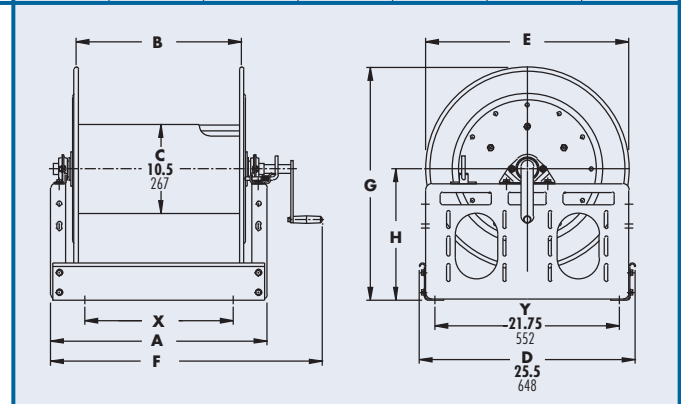
Parts Drawing – ISO 117

Model Number	Hose Capacity of Reel					Approx. Weight		Reel Dimensions***							
	O.D. (in)	1/2"	3/4"	1"	1-1/4"	1-1/2"	NET	SHIP	A	B	E	F	G	H	X
											CRANK	CRANK			
	O.D. (mm)	13	19	25	32	38									
C3218-25-26		1000	450	225	125	90	85	127	15	9.5	24.75	22	27.88	15.5	7
		305	137	69	38	27	39	58	381	241	629	559	708	394	178
C3228-25-26		–	1000	500	325	200	109	151	25.5	20	24.75	32.5	27.88	15.5	17.5
		–	305	152	99	61	49	68	648	508	629	826	708	394	445
C3234-25-26		–	1300	650	400	275	122	164	31.5	26	24.75	38.5	27.88	15.5	23.5
		–	396	198	122	84	55	74	800	660	629	978	708	394	597

Notes:

1. Specifications subject to change.
2. Upon request, reels can be supplied with drum lengths other than shown and with disc sizes in other dimensions.
3. Dimensions reflect pressed frames.
4. Series C3200 requires 3-1/2" clearance to remove crank handle.
5. Subtract 5" from 'F' dimension for disc rewind on C3200 Series.
6. Finish: refer to Page 4.
7. Be sure to check dimensions and weights prior to ordering.

*** x,y indicate mounting holes. See page 2





Stainless Steel Reels



Cable Reels



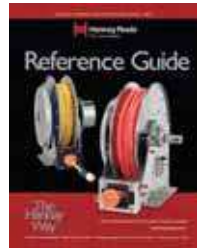
Firefighting Reels



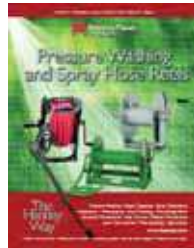
Welding Reels



Pumper/Cleaner Reels



Reference Guide



Pressure Wash and Spray Reels



Audio/Video Reels



Ordering & Accessory Guide



Family owned and operated since 1933, Hannay Reels is the world leader in both OEM and aftermarket applications. Hannay offers thousands of standard hose reel and cable reel models, as well as unmatched custom capabilities. We can easily and affordably customize a reel to meet your exact specifications – built to last, delivered fast. Additional catalogs are available through your local Hannay Reels dealer or online at www.hannay.com.



553 State Route 143 • Westerlo, New York 12193
Toll Free Phone: 1-877-GO-REELS • Toll Free Fax: 1-800-REELING

E-mail: reels@hannay.com

Intl. Phone: 1-518-797-3791 • Intl. Fax: 1-518-797-3259

www.hannay.com

All Hannay reels are constructed of quality
Heavy Gauge Steel
(optional Aluminum or Stainless Steel also
available on most models.)



MADE IN U.S.A.